

# 114EZDM

---



7-16 DIN Male EZfit® for 1-1/4 in FXL1480 and AVA6-50 cable

## Product Classification

<b>Portfolio</b>	CommScope®
<b>Product Type</b>	Wireless and radiating connector
<b>Product Brand</b>	EZfit®
<b>Product Series</b>	AVA6-50   AVA6RK-50
<b>Ordering Note</b>	CommScope® non-standard product

## General Specifications

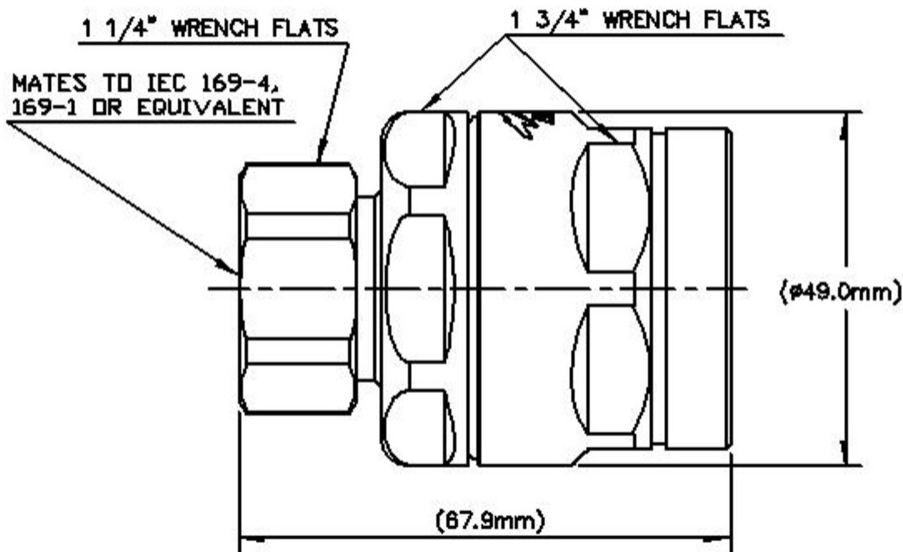
<b>Body Style</b>	Straight
<b>Cable Family</b>	AVA6-50   FXL-1480
<b>Inner Contact Attachment Method</b>	Captivated
<b>Inner Contact Plating</b>	Silver
<b>Interface</b>	7-16 DIN Male
<b>Mounting Angle</b>	Straight
<b>Outer Contact Attachment Method</b>	Clamp
<b>Outer Contact Plating</b>	Trimetal
<b>Pressurizable</b>	No

## Dimensions

<b>Length</b>	67.56 mm   2.66 in
<b>Diameter</b>	49.02 mm   1.93 in
<b>Nominal Size</b>	1-1/4 in

## Outline Drawing

# 114EZDM



## Electrical Specifications

<b>3rd Order IMD at Frequency</b>	-116 dBm @ 1800 MHz
<b>3rd Order IMD Test Method</b>	Two +43 dBm carriers
<b>Insertion Loss, typical</b>	0.05 dB
<b>Average Power at Frequency</b>	3.0 kW @ 900 MHz
<b>Cable Impedance</b>	50 ohm
<b>Connector Impedance</b>	50 ohm
<b>dc Test Voltage</b>	4000 V
<b>Inner Contact Resistance, maximum</b>	1.5 mOhm
<b>Insulation Resistance, minimum</b>	5000 MOhm
<b>Operating Frequency Band</b>	0 – 4000 MHz
<b>Outer Contact Resistance, maximum</b>	0.8 mOhm
<b>Peak Power, maximum</b>	40 kW
<b>RF Operating Voltage, maximum (vrms)</b>	1415 V
<b>Shielding Effectiveness</b>	-130 dB

## VSWR/Return Loss

<b>Frequency Band</b>	<b>VSWR</b>	<b>Return Loss (dB)</b>
50–1000 MHz	1.025	38.17

# 114EZDM

---

<b>1000–1900 MHz</b>	1.029	36.9
<b>1900–2200 MHz</b>	1.032	36.06
<b>2200–2700 MHz</b>	1.046	32.96
<b>2700–3300 MHz</b>	1.065	30.04

## Mechanical Specifications

<b>Attachment Durability</b>	25 cycles
<b>Connector Retention Tensile Force</b>	1,334.47 N   300 lbf
<b>Connector Retention Torque</b>	8.14 N-m   72.001 in lb
<b>Coupling Nut Proof Torque</b>	24.86 N-m   220.003 in lb
<b>Coupling Nut Retention Force</b>	1,000.85 N   225 lbf
<b>Coupling Nut Retention Force Method</b>	MIL-C-39012C-3.25, 4.6.22
<b>Insertion Force</b>	200.17 N   45 lbf
<b>Insertion Force Method</b>	IEC 61169-1:15.2.4
<b>Interface Durability</b>	500 cycles
<b>Interface Durability Method</b>	IEC 61169-4:9.5
<b>Mechanical Shock Test Method</b>	MIL-STD-202F, Method 213B, Test Condition C

## Environmental Specifications

<b>Operating Temperature</b>	-40 °C to +85 °C (-40 °F to +185 °F)
<b>Storage Temperature</b>	-55 °C to +85 °C (-67 °F to +185 °F)
<b>Attenuation, Ambient Temperature</b>	20 °C   68 °F
<b>Average Power, Ambient Temperature</b>	40 °C   104 °F
<b>Corrosion Test Method</b>	MIL-STD-1344A, Method 1001.1, Test Condition A
<b>Immersion Depth</b>	1 m
<b>Immersion Test Mating</b>	Mated
<b>Immersion Test Method</b>	IEC 60529:2001, IP68
<b>Moisture Resistance Test Method</b>	MIL-STD-202F, Method 106F
<b>Vibration Test Method</b>	IEC 60068-2-6
<b>Water Jetting Test Mating</b>	Mated
<b>Water Jetting Test Method</b>	IEC 60529:2001, IP66

## Packaging and Weights

# 114EZDM

---

**Weight, net**

319 g | 0.703 lb

## Regulatory Compliance/Certifications

**Agency**

**Classification**

CHINA-ROHS

Below maximum concentration value

ISO 9001:2015

Designed, manufactured and/or distributed under this quality management system

REACH-SVHC

Compliant as per SVHC revision on [www.commscope.com/ProductCompliance](http://www.commscope.com/ProductCompliance)

ROHS

Compliant



### \* Footnotes

**Insertion Loss, typical** 0.05v`freq (GHz) (not applicable for elliptical waveguide)

**Immersion Depth** Immersion at specified depth for 24 hours