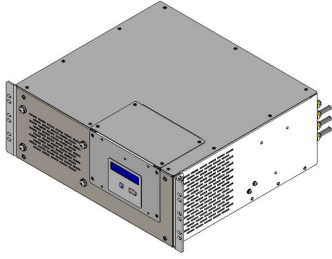


MT050C



DryLine® Dehydrator, Low-pressure membrane, 19 in rack mountable, Wall mountable, 3.0 psig (2-6 adjustable), with summary and discrete alarms, 115/230 Vac, 50/60 Hz

- See related products for dc options, sold separately

Product Classification

Product Type Dehydrator

Product Brand DryLine®

General Specifications

Alarm Type Discrete | Summary

Circuit Breaker Requirement Electrical connections require separate circuits for dehydrator installation

Dehydrator Type Automatic Membrane

Dew Point Better than -45 °C (-50 °F) at 95% RH at +40 °C (+104 °F)

Excess-Run Alarm 10 minutes, factory set

Flow Rate, nominal 3.4 SLPM

High-Humidity Alarm 7.5% RH, factory set

Low-Pressure Alarm 68 mbar | 7 kPa | 1 psig

Mounting Bench | Floor | Rack | Wall

Port Count 4

Port Type 3/8 in PE tube

Power Cord Europe power cord with stripped leads | USA power cord

Power-Fail Alarm Loss of input power

Rack Type EIA 19 in | ETSI N3 (optional)

Rack Units 4

Regulated Output Pressure Type factory set

Regulated Output Pressure, maximum 41.4 kPa | 6.005 psig

Regulated Output Pressure, minimum 14 kPa | 2.031 psig

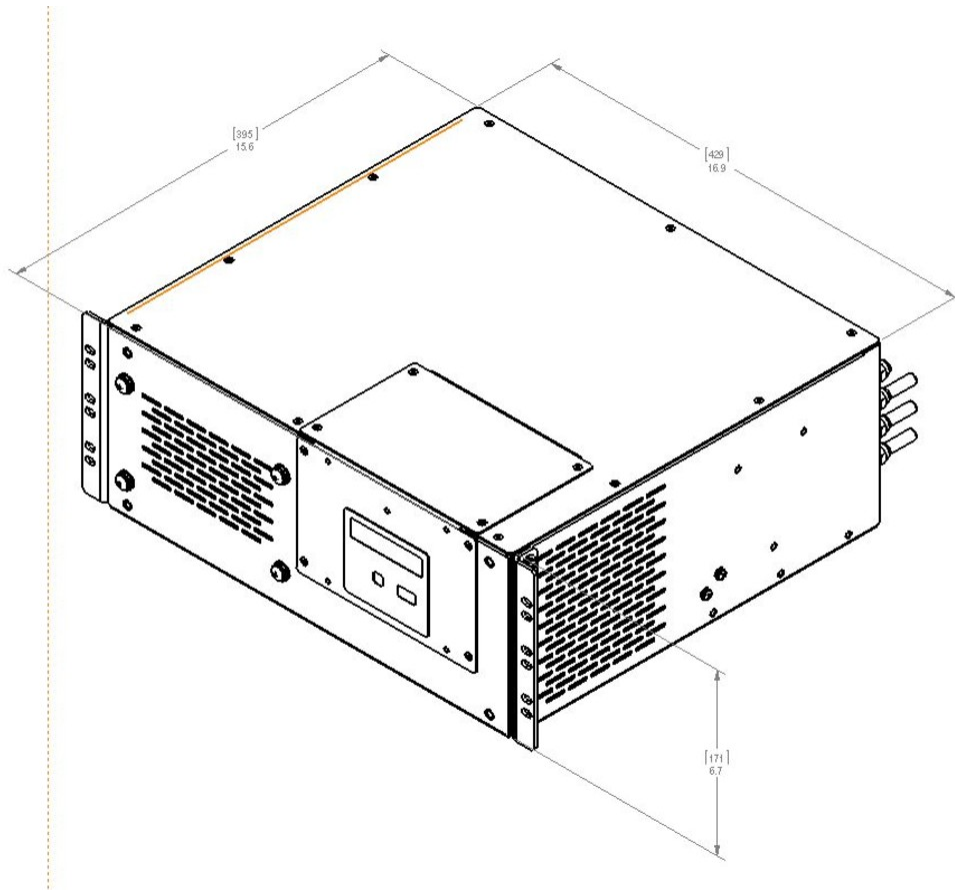
Dimensions

MT050C

Product Height	172.7 mm 6.799 in
Product Width	439.4 mm 17.299 in
Product Depth	419.1 mm 16.5 in
Volume Capacity, maximum	1.699 m ³ 60 ft ³
Volume Capacity, minimum	0 m ³ 0 ft ³

MT050C

Outline Drawing–Section



Electrical Specifications

Alarm Contact Rating	Form C dry contacts, 2 amps at 30 Vdc
Power Consumption, at runtime	220 W
Power Consumption, average	6.6 W
Power Consumption, maximum	220 W
Power Consumption, minimum	0.2 W
Power Frequency	60/50 Hz
Power Phase	Single
Suggested Circuit Breaker Size	15 A
Voltage	115/230 Vac $\pm 10\%$, selectable
Voltage Type	ac

MT050C

Environmental Specifications

Operating Temperature -10 °C to +50 °C (+14 °F to +122 °F)

Packaging and Weights

Height, packed 312.4 mm | 12.299 in

Width, packed 502.9 mm | 19.799 in

Depth, packed 541 mm | 21.299 in

Included 3/8 in polyethylene tubing | 90° elbow fitting | Instruction sheet | Male connector fitting | Needle valve | PTFE tape | Power cord

Weight, gross 23 kg | 50.706 lb

Weight, net 20 kg | 44.092 lb

Regulatory Compliance/Certifications

Agency

CHINA-ROHS

ISO 9001:2015

ROHS

Classification

Above maximum concentration value

Designed, manufactured and/or distributed under this quality management system

Compliant/Exempted

