

Stereo silence sensor and backup audio switcher

FAILSAFE GADGET



Kill dead air dead. Wait, what?

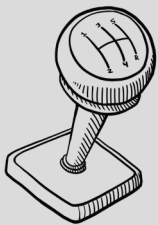
Failsafe Gadget

Dead air is every broadcaster's worst nightmare. Equipment fails, lightning strikes, humans make mistakes. And for some reason, dead air often favors the dead of night. Unless you really enjoy those unplanned trips to kick Murphy out of the studio, you might consider a less sleep-depriving way to deal with off-air emergencies. We'd like to introduce you to the Failsafe Gadget.



The Failsafe Gadget is a simple stereo A/B switch. Normally, the Main (A) source is fed to the output. A sophisticated sensor monitors the Main source constantly. If silence is detected, the Backup (B) source is switched to the output. The user can select whether the unit will switch back to Main if the audio returns, or whether it should remain on Backup until manually switched.

Connect your studio to the Main input and send the output to your transmission system. Backup audio source might be a second computer, a looping CD player, even an iPod shuffling a playlist. In addition to audio switching, a logic output from the Failsafe Gadget can activate a device or alarm if silence is detected. Logic inputs are provided to remote the switching.



You can use the Failsafe Gadget in reverse too. Perhaps you have a source that you wish to put automatically on the air whenever it appears. Easy. Just feed your regular programming into the B input and this source into the A input. Place the recovery switch in the A<->B position and now whenever there is audio on your source, it will override your regular programming. Set the timer for a short delay and when the source goes silent again, your programming will resume.

A recessed rotary switch allows you to set the threshold of the silence sensor. Another rotary switch gives you control over the duration of the silence before the sensor takes action. Dynamic programming with a relaxed pace may want lower thresholds and longer delays, while compressed and tight programming may tolerate higher thresholds and shorter delays. The idea is to set the threshold and delay so that normal gaps and quiet passages will not trigger the sensor.

Mounting Options



Rack Mount Kit
Pro mount one or two gadgets in only 1RU.



Desktop Mount Kit
Brackets tilt the gadget toward the user's eyes.

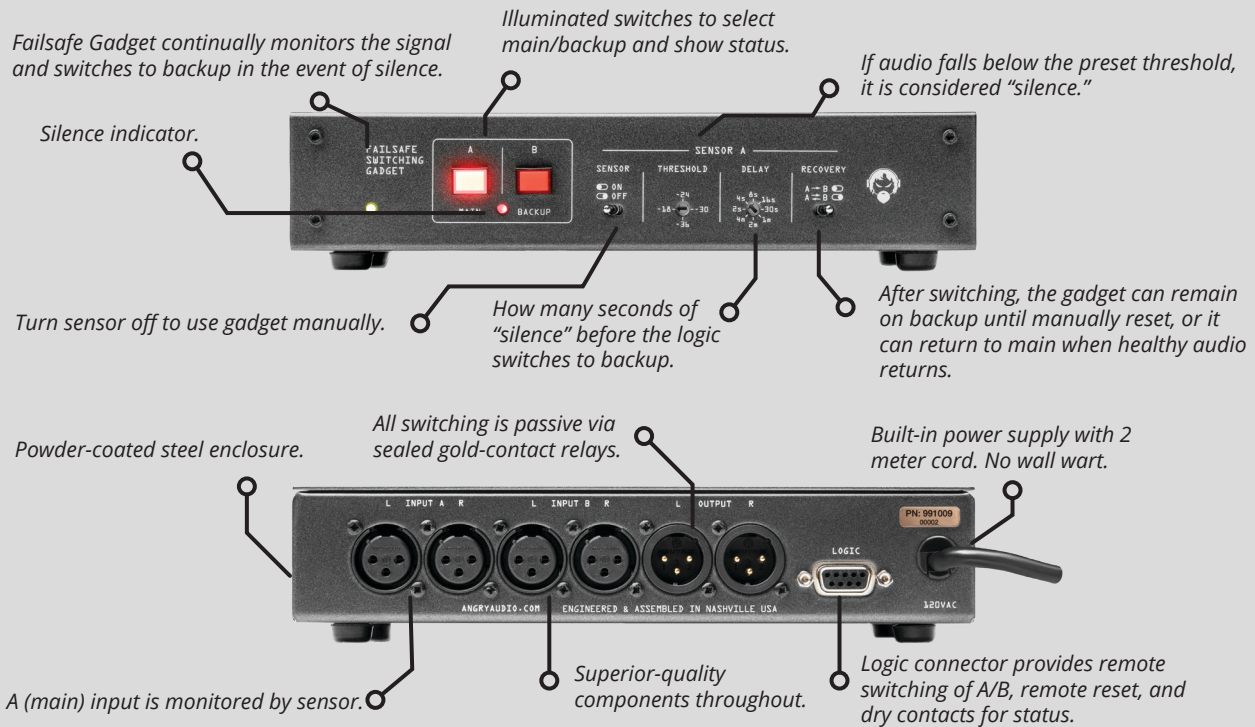


Under Cabinet Mount Kit
Conveniently located under the edge of your desk.

Failsafe Gadget

A bicolor LED gives clear status of the audio. Green is normal, above the threshold. Some red flashing is normal during quiet passages and transitions, but if it stays red for awhile, a silence event is underway. A front-panel sensor bypass switch lets you put the Failsafe Gadget in manual mode; useful for formats that only need backup during automated segments.

The Failsafe Gadget's audio switching path is completely passive, using sealed relays with gold contacts. The enclosure is powder-coated steel. The power supply is internal (no wall wart). All components are premium, selected for performance and longevity. And like every other Angry Audio product, the Failsafe Gadget is completely immune to RF interference.



Specifications:

Power and Environmental

North American Version	115VAC 60Hz, NEMA 5-15P power plug
Export Versions	230VAC 50/60Hz, various plugs available
Power Consumption	3VA
Operating Temperature	0° to 40° C (32° to 104° F)
Storage Temperature	-20° to 45° C (-4° to 113° F)
Relative Humidity	0% to 90% non-condensing
Cooling	Venting Chassis (fanless)

Product Weight & Dimensions

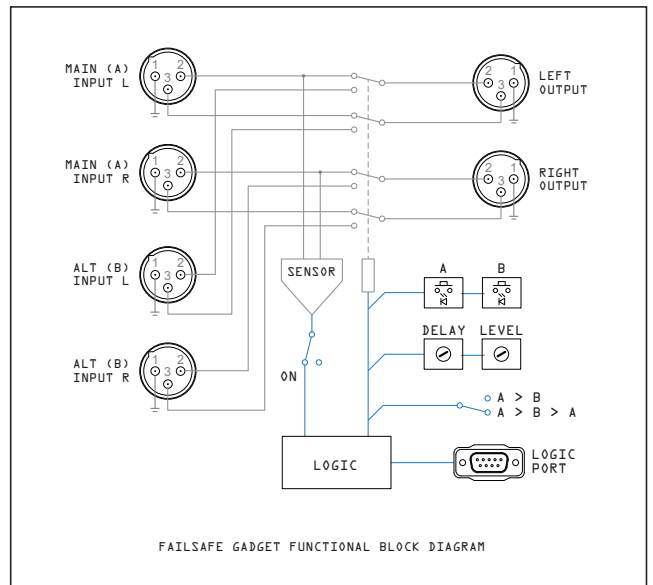
Shipping Box	12in x 9 in x 6in, 5 pounds
--------------	-----------------------------

Part number:

991009	115VAC USA Power Plug
991009E	230VAC Europe Power Plug
991009A	230VAC Australia Power Plug
991009U	230VAC UK Power Plug

Box includes:

- Failsafe Gadget
- 2x Dual XLRM to RJ45F (StudioHub) adapters
- 1x Dual XLRF to RJ45F (StudioHub) adapters
- DB9F to RJ45F adapter for logic port





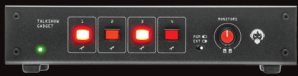
Balancing Gadgets

All three Balancing Gadgets feature an internal low-noise linear power supply, direct coupled transformerless analog circuitry and our exclusive input design that suppresses common mode noise. The result is the most sonically-transparent devices available. Never any buzz, hum, hiss or RFI.



Bluetooth Gadget

Bidirectional smartphone to PRO audio interface. Use your Bluetooth-equipped device for audio playback, phone calls, skype, etc. AAC and APTX audio codecs provide premium audio quality.



Talkshow Gadget

Adds broadcast features to audio mixers. Monitor speaker muting and volume control, pushbutton microphone control, on-air warning logic. All passive signal chain features sealed gold-contact relays.



Fail-safe Gadget

Stereo silence sensor and backup audio switcher. Adjustable threshold and delay. Alarm logic port. Can also be used to switch when audio is active.



Distribution Gadget

2x4 stereo or 2x8 monaural analog audio distribution amplifier. Choose from IHF or PRO audio input. Each output pair can be stereo or mono sum.



Guest Gizmo

Stereo headphone amplifier, Cough (mute) button, tally lamp driver. Installs in desktop. High power headphone amplifier can drive high or low impedance headphones.



Mic Tally Gizmo

Driver for MIKA mic arms equipped with LED tally. Installs in desktop. Dual logic inputs to illuminate tally either red or white.



Headphone Gizmo

Premium stereo headphone amplifier with StudioHub RJ45 connectors for input and daisy-chain output. Innovative circuitry can drive high impedance or low impedance headphones with power to spare.

ANGRY AUDIO LLC

128 Holiday Court, Suite 118
Franklin TN 37067 USA

+1 (615) 763-3033
www.AngryAudio.com
answers@angryaudio.com