



DV PowerPacks

Li-Ion Batteries for Camcorders, On-Camera
Lights and Accessories

USER MANUAL

BMBP9 Series

Replaces Canon BP-9XX

Main Features:

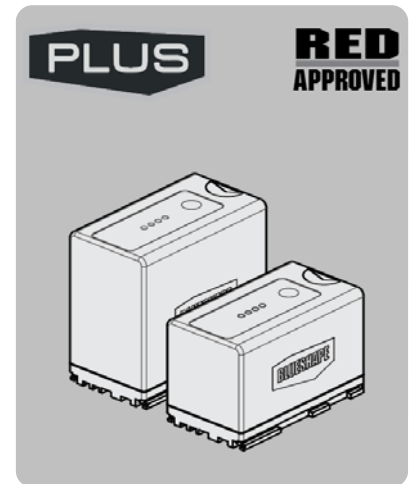
- Charge Indicator (4-Step LED)
- Battery Data Communication with RED® KOMODO™
- Blueshape Plus - Higher Capacity



The batteries are shipped in a switched-off state to conserve power and are electronically disconnected: to reactivate for normal operation **recharge the battery before first use**

Specifications:

Model	BMBP955Plus	BMBP975Plus
Nominal Voltage:	7.2V	
Nominal Capacity:	6400mAh - 46Wh	9600mAh - 69Wh
Weight:	212g	293g



BMBPA60

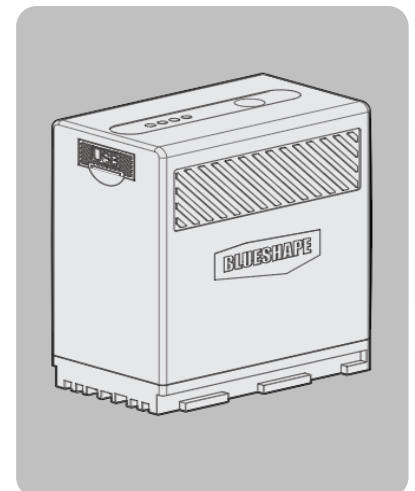
Replaces Canon BP-A65

Main Features:

- Charge Indicator (4-Step LED)
- 1x D-Tap (3.25 A Max.)
- 1x USB (Type A - 2.4A Max. /12W)

Specifications:

- Nominal Voltage: 14.4V
- Nominal Capacity: 6700mAh - 96Wh
- Weight: 450g



BMBLPE6H

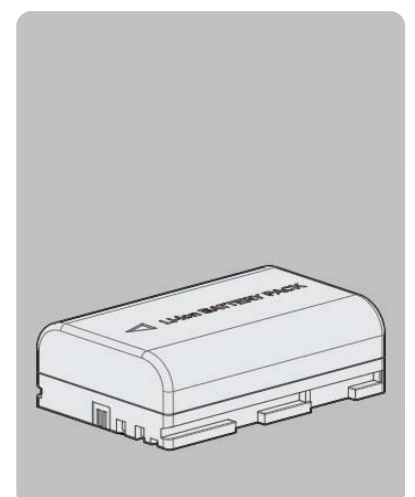
Replaces Canon LP-E6N

Main Features:

- High Capacity
- Includes Battery Cover

Specifications:

- Nominal Voltage: 7.2V
- Nominal Capacity: 2250mAh - 16Wh
- Weight: 78g



Warning

Do not charge in Turbo Mode

BMBPU90

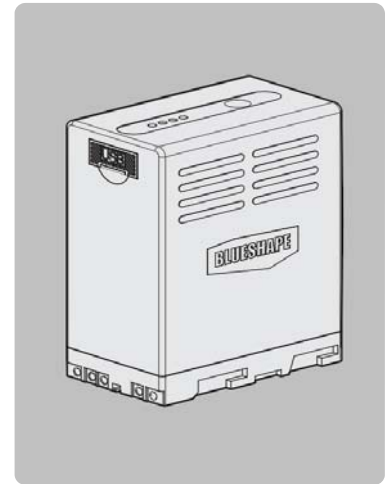
Replaces Sony BP-U90

Main Features:

- Charge Indicator (4-Step LED)
- 1x D-Tap
- 1x USB (Type A - 1.0A Max./ 5W)

Specifications:

- Nominal Voltage: 14.4V
- Nominal Capacity: 6700mAh - 96Wh
- Weight: 418g



BMNPF Series

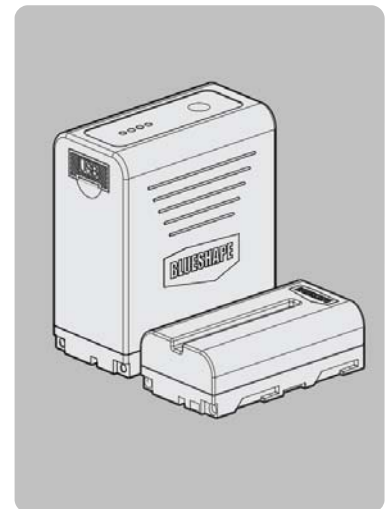
Replaces Sony NP-FXXX

Main Features BMNPF970:

- Charge Indicator (4-Step LED)
- 1x USB-A Output + USB Micro-B Charge In

Specifications:

Model	BMNPF570	BMNPF970
Nominal Voltage:	7.2V	
Nominal Capacity:	3300mAh - 24Wh	10050mAh - 72Wh
Weight:	104g	310g



Warning

Do not charge BMNPF570 in Turbo Mode

BMNPFZ100

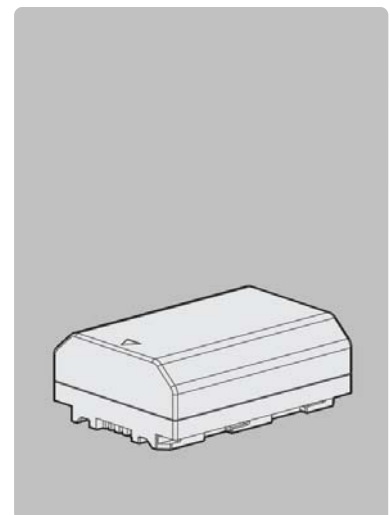
Replaces Sony NP-FZ100

Main Features:

- High Capacity

Specifications:

- Nominal Voltage: 7.2V
- Nominal Capacity: 2250mAh - 16Wh
- Weight: 78g



Warning

Do not charge in Turbo Mode

BMNPFV100

Replaces Sony NP-FV100

Main Features:

- High Capacity

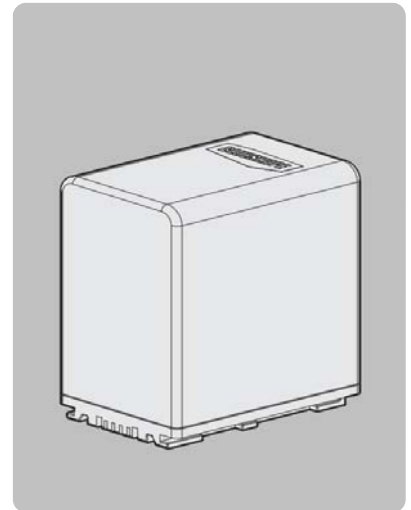
Specifications:

- Nominal Voltage: 7.2V
- Nominal Capacity: 3100mAh - 22Wh
- Weight: 126g



Warning

Do not charge in Turbo Mode



BMJVC70

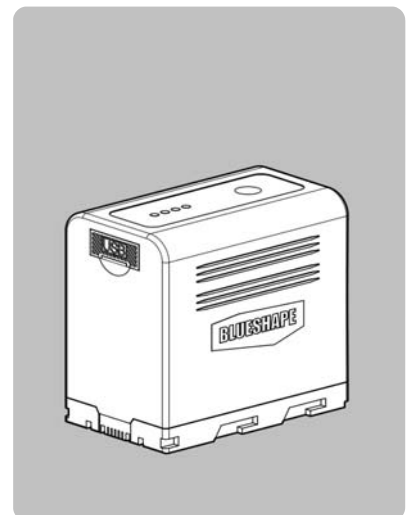
Replaces JVC SSL JVC-70

Main Features:

- Charge Indicator (4-Step LED)
- 1x USB (Type A - 2.1A Max./ 10.5W)
- 1x Micro USB Charge In (Micro-B)
- 1x DC Output 5.5x2.5 Barrel Jack

Specifications:

- Nominal Voltage: 7.2V
- Nominal Capacity: 7500mAh - 54Wh
- Weight: 321g



BMVBD78

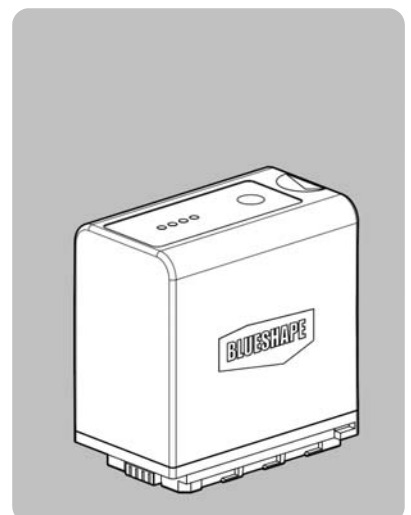
Replaces Panasonic VW-VBD78

Main Features:

- Charge Indicator (4-Step LED)
- 1x USB (Type A - 2.1A Max./ 10.5W)
- 1x Micro USB Charge In (Micro-B)
- 1x DC Output 5.5x2.5 Barrel Jack

Specifications:

- Nominal Voltage: 7.2V
- Nominal Capacity: 10050mAh - 72Wh
- Weight: 306g



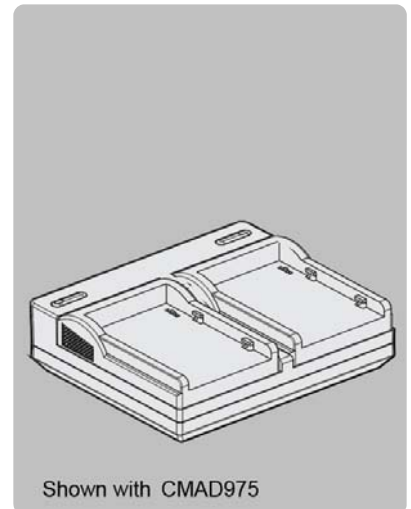
CMDUAL-PD

Main Features:

- Simultaneous charge
- Turbo Mode (2.0A - 2.5A per channel)
- Interchangeable Universal Plate System
- Charge Status LED
- USB Type-C® Input with PD 2.0 Protocol
- Includes 20V 65W USB PD AC Adapter

Specifications:

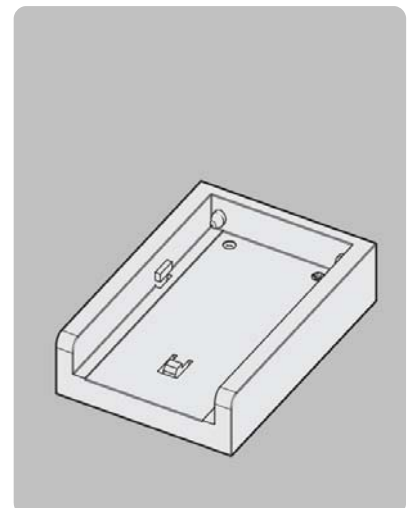
- Nominal Charge Voltage: 8.4V;16.8V
- Nominal Charge Current: 1.5A per channel
- Weight: 75g



Charger Adapter Plates

Available charger adapter plates:

BP-9 Series	(8.4V)	CMAD975
BP-A Series	(16.8V)	CMADBPA
LP-E6 Series	(8.4V)	CMADLPE6
JVC SSL Series	(8.4V)	CMADJVC
VW-VBD Series	(8.4V)	CMADVBD
BP-U Series	(16.8V)	CMADBPU
NP-F Series	(8.4V)	CMADNPF
NP-FV Series	(8.4V)	CMADNPFV
NP-FZ Series	(8.4V)	CMADNPFZ



Li-Ion Battery Packs



The battery packs are equipped with built-in safety/protection features. Should these features be compromised in any way whatsoever, the battery pack may leak corrosive chemicals, overheat, emit smoke, burst and/or ignite.



Danger

1. Do not disassemble or modify the battery pack.
2. Do not connect the positive (+) and negative (-) terminals to a metal object such as a wire. Do not transport or store the battery pack together with metal objects without adequate insulation.
3. Do not discard the battery pack into fire or heat. Batteries should be recycled.
4. Do not use or leave the battery pack near a heat source such as a fire or a heater (> 80°C).
5. Do not immerse the battery pack in fluids, water or seawater and do not allow it to get wet.
6. Do not recharge the battery pack near fire or in extremely hot environments.
7. To recharge the battery pack, use the battery charger specifically designed for the device and observe the recharging conditions specified by the maker of the charger.
8. Do not pierce the battery pack with pointed or sharp objects.
9. Do not strike it with blunt objects.
10. Do not subject to excessive mechanical loads or shocks, such as by striking or throwing the battery pack.
11. Do not use an apparently damaged or deformed battery pack.
12. Do not directly solder the battery pack.
13. Do not reverse the positive (+) and negative (-) terminals, during charging, operation or otherwise.
14. Do not force the connection if you may not easily connect the battery pack terminals to the battery pack charger or other equipment. Confirm that the terminals are correctly oriented.
15. If the battery pack leaks, and the electrolyte reaches the eyes, do not rub them. Instead, rinse the eyes with clean running water and immediately seek medical attention. Failure to do so may result in eye injury.



Warning

1. Do not use the battery pack for other purposes other than those specified. Otherwise, its guaranteed performance will be lost and/or its service life will be shortened.
2. If recharging operation fails to complete even when a specified recharging time has elapsed, immediately stop further recharging.
3. Do not subject to excessive micro-wave radiation.
4. Do not subject to excessive ambient pressures.
5. If the battery pack gives off an odour, generates heat, becomes discoloured or deformed, or in any way appears abnormal during use, recharging or storage, immediately remove it from the equipment or battery pack charger and stop usage immediately.



Caution

1. Do not use or subject the battery pack to intense sunlight or hot temperatures such as in a car in hot weather.
2. Do not use it in a place where high static electricity may be present.
3. The guaranteed operating temperature range is 0°C to 40°C.
4. If electrolyte leaking from the battery pack contacts your skin or clothing, immediately wash it away with running water. Failure to do this may result in skin inflammation.
5. Keep out of reach of children.
6. If you find discolouration, a bad odour due to leakage, overheating and/or other irregularities when using the battery pack for the first time return it to your supplier or vendor.
7. Do not store battery packs on chargers or idle equipment.
8. The battery should be stored in a dry place at normal temperatures, ideally below 20°C and not above 60°C (recommended 0°C to 20°C). The battery is a perishable item, more attention and care need to be used:
 - It is recommended to charge the battery after each use.
 - If the battery is not going to be used for a prolonged period of time, it is advisable to recharge the battery so as not to store it in a very low state of charge. Remember that there will always be some internal power consumption.
 - It is advisable to check the state of charge every 6 months and if possible to exercise the battery regularly.

1. Set-up and Operation

1. For battery packs with a USB type-A connector, the output may need to be activated by pressing the charge indicator button.

Charging Battery Packs with CMDUAL-PD



Danger

1. The charger is intended for specific Li-Ion batteries only. Do not use with other battery chemistries or with incompatible battery mounts.

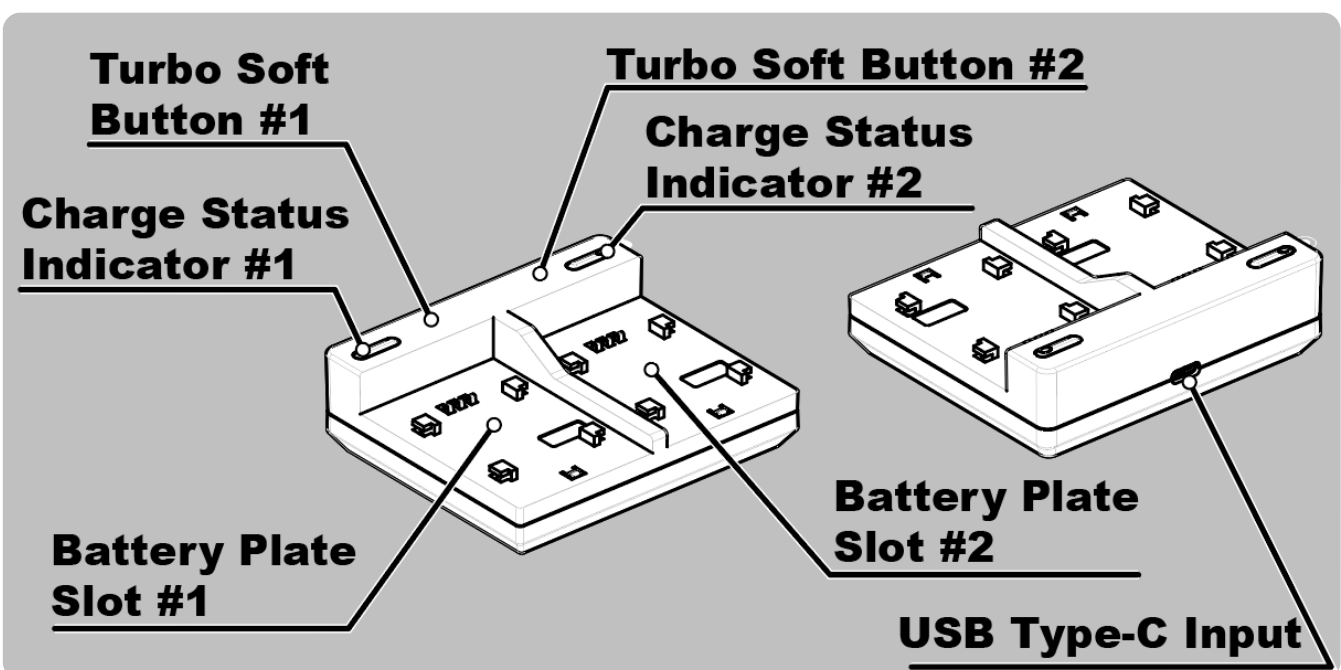


Warning

1. Do not use Turbo mode on battery packs of 2600mAh or less.
2. Improper use of the charger or AC adapter might cause electric shock, do not disassemble charger or AC adapter.
3. Charger for indoor use only.
4. Do not subject charger to excessive mechanical loads or shocks, such as by dropping it.
5. The guaranteed recharging temperature range is 0°C to 40°C - as limited by the pack. A recharging operation outside this temperature range may lead to damage to the battery pack.
6. Do not expose to excessive direct sunlight.
7. Do not cover charger during use .

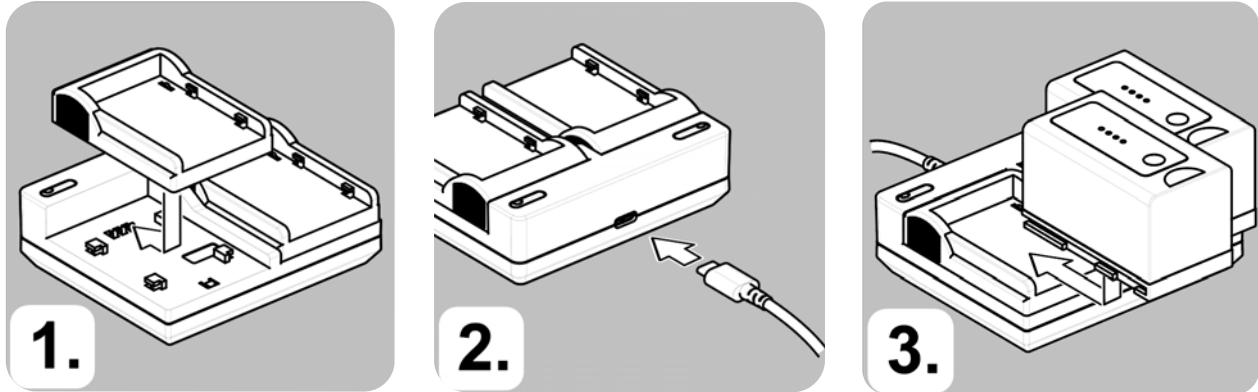
1. Overview

CMDUAL-PD is equipped with two configurable battery bay slots, and supports USB Power Delivery input.



2. Set-up and Operation

1. Attach desired plates to the slots ensuring correct mating and locking of plate in its slot. You may use any two different charging plate models at the same time.



2. Attach USB Type-C power adapter to the rear port.
3. Attach battery which matches with the installed charger battery plate.
4. (Optional) Touch the Turbo soft touch button to activate turbo charge mode. Turbo charge will increase charge current and reduce charging time. Before using Turbo charge mode on your battery, read the individual battery instructions in this manual.
5. Observe LED charge indicator to identify the battery pack charging status. A **blinking amber** LED indicates that the battery pack is charging. When turbo mode is activated, the LED will change to **blue and blink at a faster rate**. When the battery pack has finished charging, the LED charge indicator will light as **solid green**. A **solid red** LED indicates that the charger is in an error state.
6. Remove battery pack from the charger when not in use.

Operation Modes

The charger's performance is dependant on the AC adapter used.*

AC Adapter Power Rating	Plate Configuration				
	1x 8.4V	1x 16.8V	2x 8.4V	2x 16.8V	1x 8.4V 1x 16.8V
5V 3A - 15W	✗	✗	✗	✗	✗
9V 3A - 27W	✓	✗	✓ No Turbo	✗	✗
12V 3A - 36W	✓	✗	✓	✗	✗
15V 3A - 45W	✓	✗	✓	✗	✗
20V 3A - 60W**	✓	✓	✓	✓ No Turbo	✓
20V 5A - 100W***	✓	✓	✓	✓	✓

*Turbo Charge Current Adapts with Available Power

**Maximum adapter capability included with product

***Requires Electronically Marked Cable

Storage

The battery should be stored in a dry place at normal temperatures, ideally below 25°C and not above 60°C (recommended 0°C to 20°C).

The battery is a perishable item, more attention and care need to be used:

- It is recommended to charge the battery after each use.
- If the battery is not going to be used for a prolonged period of time, it is advisable to recharge the battery so as not to store it in a very low state of charge. Remember that there will always be some internal power consumption.
- It is advisable to check the state of charge every 6 months and if possible to exercise the battery regularly.

Warranty Information

BLUESHAPE PowerPacks and PowerPack chargers are warranted to be free from defects in materials, workmanship and functionality for a period of 12 months commencing from the date of purchase. This warranty shall not apply to any products or parts of, that have been subjected to misuse, negligence or damage. The buyer should always contact the place of purchase for any return of defective product. It is important that the buyer provides us with as much information as possible about the failure being claimed. In the event of product failure for which warranty applies, we will repair or replace the product free of charge.

In these cases, all expenses including transport charges will be borne by us.

In the case where the failure has been caused by misuse, negligence or damage, repairs would be billed at a nominal cost. Prior to the carrying out of any repairs, we will inform the customer of the estimated costs of these repairs. These warranty conditions are the only ones applicable to our products and overrule any other expressed or implied warranties. We shall not be held liable for any damages resulting from warranty statements other than those contained in this declaration.

This warranty is not transferable and is only applicable to the original buyer. In all warranty claims, the buyer must reproduce the original purchase invoice.



NEW CELL TOP Srl

VIA LIGURIA 4-6,

42124 REGGIO EMILIA, ITALY

TEL. +39 0522 518556

FAX. +39 0522 277084

WEB: www.blueshape.net

EMAIL: info@blueshape.net