

# ATEM Production Studio 4K



ATEM Production Studio 4K lets you connect up to 8 SD, HD or Ultra HD 4K video cameras, disk recorders and computers to do true broadcast quality work. You get all the features you expect from a professional switcher including chroma key, transitions, media pool, downstream keyers, audio mixer, multi view and the world's first 6G-SDI and HDMI 4K video connections.

**\$1,855**

## Connections

### Total Video Inputs

8

### Total Video Outputs

6

### SDI Rates

270Mb, 1.5G, 3G, 6G.

### Total Audio Inputs

2 x XLR. 2 x RCA.

### Total Audio Outputs

2 x XLR Program.

### Timecode Connections

None

### SDI Video Inputs

4 x 10-bit SD/HD/Ultra HD 4K switchable. 2 channel embedded audio.

### HDMI Video Input

4 x HDMI type A, 10-bit SD/HD/Ultra HD 4K switchable. 2 channel embedded audio.

### SDI Audio Outputs

2 channel embedded into SDI output.

### Reference Input

Tri-Sync or Black Burst.

### Video Input Re-Sync

On all 8 inputs.

### SDI Program Outputs

1 x 10-bit SD/HD/Ultra HD 4K switchable.

### HDMI Program Outputs

1 x HDMI type A, 10-bit SD/HD/Ultra HD 4K switchable.

### Down Converted SDI

#### Program Outputs

1 x 10-bit HD (Ultra HD 4K to HD).

#### SDI Aux. Output

1

#### Total Multi Views

1

#### SDI Multi View Outputs

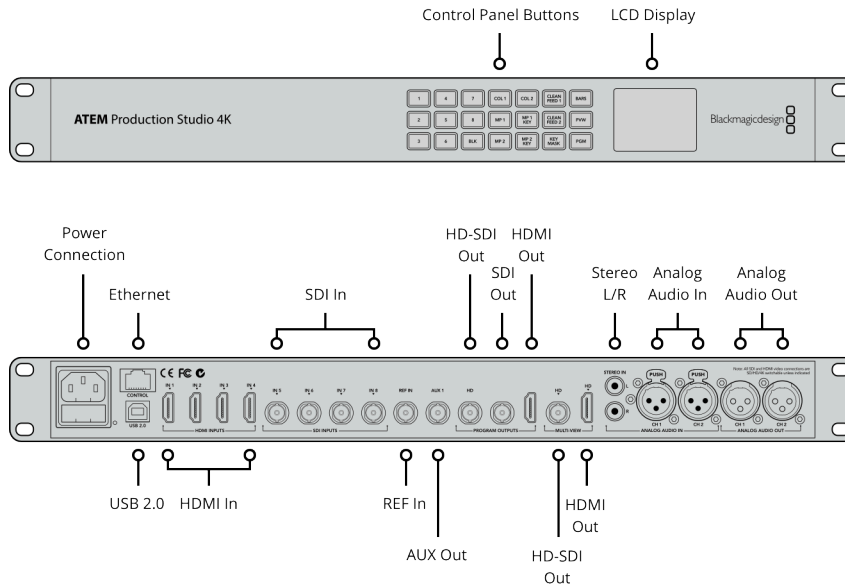
1

#### HDMI Multi View Outputs

1

#### Control Panel Connection

Ethernet supports 10/100/1000 BaseT. Allows direct connection between panel and chassis, or via network.



## Standards

### SD Video Standards

525i59.94 NTSC, 625i50 PAL

### HD Video Standards

720p50, 720p59.94  
1080p23.98, 1080p24, 1080p25,  
1080p29.97, 1080p50, 1080p59.94  
1080i50, 1080i59.94

### Ultra HD Video Standards

2160p23.98, 2160p24, 2160p25,  
2160p29.97

### SDI Compliance

SMPTE 259M, SMPTE 292M, SMPTE  
424M.

### Video Sampling

4:2:2

### Color Precision

10-bit

### Color Space

REC 601, REC 709

### HDMI Input Resolutions for Computers

720 x 480i 59.97Hz,  
720 x 576i 50Hz,  
1280 x 720 59.94Hz,  
1280 x 720 50Hz,  
1920 x 1080 59.94Hz,  
1920 x 1080 50Hz,  
3840 x 2160 23.98Hz,  
3840 x 2160 24Hz,  
3840 x 2160 25Hz,  
3840 x 2160 29.97Hz.

### Colorspace Conversion

Hardware based real time.

### Processing Delay

1 Line.

### Audio Mixer

10 input x 2 channel mixer. Selectable  
On/Off/Audio-Follow-Video. Level and  
Peak metering. Master gain control.  
Analog outputs may be used for  
separate monitoring.

### 4K to HD Down Conversion

Yes, program x 1.

## Product Specifics

### Upstream Keyers

1 with Chroma/Linear/Luma key.

### Downstream Keyers

2

### Chroma Keyers

1

### Talkback Support

None

### Mix Minus Support

None

### Linear/Luma Keyers

3

### Transition Keyer (Stinger/DVE)

None

### Total Number of Layers

4

### Pattern Generators

3

<b>Color Generators</b> 2	<b>Display interface</b> Minimum monitor resolution of 1366 x 768.	<b>Tally</b> Red for program and green for preview indication.
<b>DVE with 3D Borders &amp; Drop Shadow</b> None	<b>Number of Windows</b> 1 x 10	<b>Windows Source Labels</b> Yes
	<b>Routable Windows</b> 8	<b>Control Panel</b> Software or optional hardware panel.

---

## Media Player

<b>Media Player</b> 2	<b>Media Player Clip Length in 1080 HD</b> None	<b>Media Pool Audio File Format</b> None
<b>Media Pool Still Image Capacity</b> 20 with fill and key.	<b>Media Player Clip Length in Ultra HD</b> None	<b>Channels</b> Fill and key for each Media Player.
<b>Media Pool Clip Capacity</b> None	<b>Media Pool Still Image Format</b> PNG, TGA, BMP, GIF, JPEG and TIFF.	
<b>Media Player Clip Length in 720 HD</b> None	<b>Media Pool Video File Format</b> None	

---

## Multi View Monitoring

<b>Multi View Monitoring</b> 1 x 10 Views.	<b>Multi View Video Standard</b> HD.
---	---

---

## Display

<b>Interface</b> Minimum monitor resolution of 1366 x 768.	<b>Front Panel</b> Built in LCD monitor for video and 42 LED buttons for Aux switching.
---	--

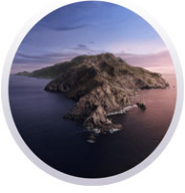
---

## Software

<b>Control Panel Included</b> ATEM Software Control Panel included free for Mac 10.10 Yosemite, Mac 10.11 El Capitan or later and Windows 8.1 64-bit or Windows 10 64-bit.	<b>Tally Output</b> Added via Ethernet connection to Blackmagic Design GPI and Tally Interface product. (Not included.)	<b>Configuration</b> Set via ATEM Software Control Panel, excluding ATEM chassis IP address which is set via the ATEM Setup Utility connected via USB to chassis.
	<b>Software Updates</b> Using USB connection directly connected to Mac or Windows computers. Includes ATEM Setup Utility	

---

## Operating Systems



Mac 10.14 Mojave,  
Mac 10.15 Catalina or later.



Windows 8.1 and 10.

---

## Power Requirements

### Power Supply

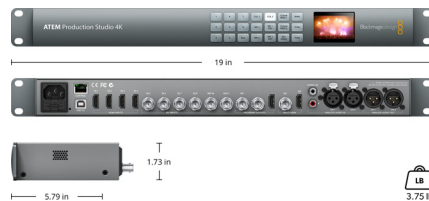
1 x Internal 100 - 240V AC.

### Power Usage

60W

---

## Physical Specifications



---

## Environmental Specifications

### Operating Temperature

0° to 40° C (32° to 104° F)

### Storage Temperature

-20° to 60° C (-4° to 140° F)

### Relative Humidity

0% to 95% non-condensing

---

## What's Included

ATEM Production Studio 4K

Welcome wallet with QR code for software download

---

## Warranty

12 Month Limited Manufacturer's Warranty.

### Repair policy

Warranty details can be found in the ATEM Switchers Operation Manual in the support page at [www.blackmagicdesign.com](http://www.blackmagicdesign.com)

---

All items on this website are copyright Blackmagic Design Pty. Ltd. 2024, all rights reserved. All trademarks are property of their respective owners. MSRP includes duties, but excludes sales tax and shipping costs. This website uses remarketing services to advertise on third party websites to previous visitors to our site. You can opt out at any time by changing cookie settings. [Privacy Policy](#)

Blackmagic Design Authorized Reseller