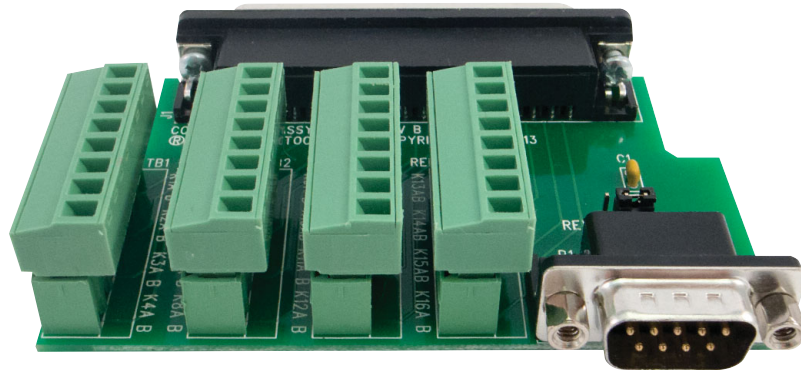




BROADCAST[®] t o o l s I N C

Installation and Operation Manual



COA-37 XDS/SERIAL Connect O' Adapter

Manual update 06/30/2014

Due to the dynamic nature of product design, the information contained in this document is subject to change without notice. Broadcast Tools, Inc., assumes no responsibility for errors and/or omissions contained in this document. Revisions of this information or new editions may be issued to incorporate such changes.

*Broadcast Tools[®] is a registered trademark of Broadcast Tools, Inc.
tiny TOOLS[™] is a trademark of Broadcast Tools, Inc.
All Sentinel[®] labeled products are registered trademarks of Broadcast Tools, Inc.
Copyright[®] 1989 - 2014 by Broadcast Tools, Inc. All rights reserved.
No part of this document may be reproduced or distributed without permission.*

Visit www.broadcasttools.com for important product update information.

INTRODUCTION

Thank you for your purchase of the Broadcast Tools® COA-37 XDS/SERIAL, Connect O' Adapter. We are confident this product will give you many years of dependable service. This manual is intended to give you all the information needed to install and operate the unit.

SAFETY INFORMATION

Only qualified personnel should install Broadcast Tools® products. Incorrect or inappropriate use and/or installation could result in a hazardous condition.

Broadcast Tools, Inc., will NOT support NON-Broadcast Tools software or hardware or NON-Broadcast Tools computer or hardware/software problems. If you experience these problems, please research your hardware/software instruction manuals or contact the manufacturers technical support department.

WHO TO CONTACT FOR HELP

If you have any questions regarding your product or you need assistance, please contact your distributor from whom you purchased this equipment.

If you would like more information about Broadcast Tools® products, you may reach us at:

Broadcast Tools, Inc.

131 State Street
Sedro-Woolley, WA 98284 USA
Voice: 360.854.9559
Fax: 866.783.1742

Internet Home Page: www.broadcasttools.com
E-mail: support@broadcasttools.com

***THANK YOU FOR CHOOSING
BROADCAST TOOLS® BRAND PRODUCTS!***

Broadcast Tools is a Veteran Owned Business



Designed, Assembled and Supported in WA State, USA



CAUTION!

Broadcast Tools® Products, as with any electronic device, can fail without warning. Do not use this product in applications where a life threatening condition could result due to failure.



NOTE:

This manual should be read thoroughly before installation and operation.

Product Description

Here's another problem solver from Broadcast Tools for the XDS and/or StarGuide II or III satellite receiver! The Connect O' Adapter 37 XDS/Serial, (COA-37 XDS/Serial), provides an effective way to convert the DB-37 connector to removable screw terminals, along with adding a DB-9 connector to allow for serial, RS-232 Netcue data. The COA-37 XDS/Serial is designed to plug into the male 37-pin D-Sub connector on any XDS and/or StarGuide II or III Relay Module. The COA-37 XDS/Serial is equipped with four, eight-position removable screw terminals for connection to the 16 relays. Mounting screws are provided to secure the COA-37 XDS/Serial to the Relay Modules DB-37 connector.

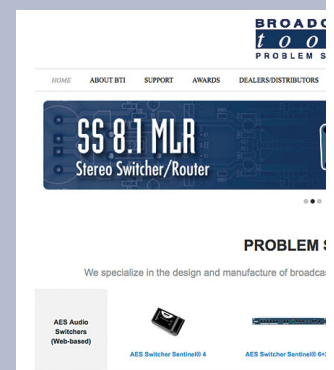
INSTALLATION

- Step 1: Plug the COA-37 XDS/Serial into the 37-pin male D-sub connector on the XDS and/or StarGuide II or III Relay card labeled "Relay Contacts".
- Step 2: Install the two 4-40 screws (supplied) into the COA-37 XDS/Serial's 37-pin male D-sub connector's mounting ears, securing the COA-37 XDS/Serial to the Relay card.
- Step 3: Remove any of the four 8-position removable screw terminal plugs from the COA-37 XDS/Serial and install your cable following the silk-screen pin-out labels supplied on the top of the circuit board.
- Step 4: Reinstall any of the 8-position removable screw terminal plugs.
- Step 5: JP1 determines which DB-9 connector pin the Netcue serial data is present on. From the factory, with JP1 in the "Norm" position Netcue data appears on pin 3 of the DB-9 connector. When the jumper is in the "REV" position, Netcue data appears on pin 2 of the DB-9 connector. Pin 5 is ground. **NOTE:** When using the DB-9 connector with a USB/RS-232 adapter or M/F serial cable, a gender changer may be required.
- Step 6: Connect the USB, RS-232 or Ethernet cable and/or adapter to P1, the DB-9 male RS-232 data connector. **NOTE:** Flow control is not supported and should be disabled.

Please see Application examples on page 6.

WEBSITE:

Visit our web site for product updates and additional information



DESCRIPTION

COA-xx and COP-x Selection Guide

Receiver	Old COP Lt/Rt Level adjust	COA-9 XDS/MAX	COP-2 Lt/Rt Level adjust	COP-3 Lt/Rt Level adjust	COA-15 MAX	COA-37 XDS/SERIAL
StarGuide II Receiver's	X	X	X		X	X
StarGuide III Receiver's	X	X	X		X	X
XDS Receiver's		X	X		X	X
WW1/MAX / IDC Receiver's		X	X		X	
IDC SFX 21xx,31xx and 41xx Series Pro Receiver's		X	X		X	
IDC SFX 21xx,31xx and 41xx Series Pro Receiver's "OPTION B" NOTE: This receiver is used by NPR.				X	X	

LIMITED WARRANTY

The term "Buyer" as used in this document refers to and includes both (but only) (a) any person or entity who acquires such an item for the purpose of resale to others (i.e., a dealer or distributor of an item), and (b) the first person or entity who acquires such an item for such person's or entity's own use.

Broadcast Tools warrants to each Buyer of any item manufactured by Broadcast Tools that the item will be free from defects in materials and workmanship at the time it is shipped by Broadcast Tools if the item is properly installed, used and maintained.

EXCLUSIVE REMEDIES

If Broadcast Tools is notified, in writing, of a failure of any item manufactured by Broadcast Tools to conform to the foregoing Limited Warranty within one (1) year following the date of the Buyer's acquisition of the item, and if the item is returned to Broadcast Tools in accordance with Broadcast Tools' instructions for confirmation by inspection of the defect (which at Broadcast Tools' election may include, without limitation, a requirement that the Buyer first obtain a Return Authorization number from Broadcast Tools, that the Buyer furnish proof of purchase in the form of an invoice and/or receipt, and that the Buyer prepay all freight charges associated with any return of the item to Broadcast Tools using such freight service as Broadcast Tools reasonably may specify), Broadcast Tools will repair or replace the defective item, or will refund the purchase price paid by the Buyer for the item. Broadcast Tools shall have the exclusive right to choose between these alternative remedies.

NO OTHER WARRANTIES OR REMEDIES

TO THE MAXIMUM EXTENT PERMITTED BY APPLICABLE LAW, BROADCAST TOOLS AND ITS SUPPLIERS DISCLAIM ALL OTHER WARRANTIES, EITHER EXPRESS OR IMPLIED, INCLUDING BUT NOT LIMITED TO IMPLIED WARRANTIES OF MERCHANTABILITY OR FITNESS FOR A PARTICULAR PURPOSE; AND THE FOREGOING ALTERNATIVE REMEDIES SHALL BE EXCLUSIVE OF ALL OTHER REMEDIES. THIS LIMITED WARRANTY GIVES YOU SPECIFIC LEGAL RIGHTS. YOU MAY HAVE OTHER RIGHTS, WHICH VARY FROM STATE/JURISDICTION TO STATE/JURISDICTION.

NO LIABILITY FOR CONSEQUENTIAL DAMAGES

TO THE MAXIMUM EXTENT PERMITTED BY APPLICABLE LAW, NEITHER BROADCAST TOOLS NOR ANY OF ITS SUPPLIERS SHALL HAVE ANY LIABILITY FOR ANY SPECIAL, INCIDENTAL, INDIRECT, CONSEQUENTIAL OR PUNITIVE DAMAGES WHATSOEVER (INCLUDING, WITHOUT LIMITATION, ANY DAMAGES FOR LOST PROFITS, BUSINESS INTERRUPTION, LOSS OF DATA OR INFORMATION, COST OF CAPITAL, CLAIMS OF CUSTOMERS, OR ANY OTHER PECUNIARY LOSS) ARISING OUT OF THE USE OF OR THE INABILITY TO USE ANY ITEM SUPPLIED BY BROADCAST TOOLS, EVEN IF BROADCAST TOOLS HAS BEEN ADVISED OF THE POSSIBILITY OF SUCH DAMAGES HAVE ANY LIABILITY FOR ANY SPECIAL, INCIDENTAL, CONSEQUENTIAL, EXEMPLARY OR PUNITIVE DAMAGES. THIS LIMITATION OF LIABILITY APPLIES WHETHER A CLAIM IS ONE ALLEGING BREACH OF A CONTRACT OR WARRANTY, NEGLIGENCE OR OTHER TORT, FOR THE VIOLATION OF ANY STATUTORY DUTY, THE FAILURE OF ANY LIMITED OR EXCLUSIVE REMEDY TO ACHIEVE ITS ESSENTIAL PURPOSE, OR ANY OTHER CLAIM OF ANY NATURE. BECAUSE SOME STATES AND JURISDICTIONS DO NOT ALLOW THE EXCLUSION OR LIMITATION OF LIABILITY FOR INCIDENTAL OR CONSEQUENTIAL DAMAGES, THIS LIMITATION MAY NOT APPLY TO YOU.

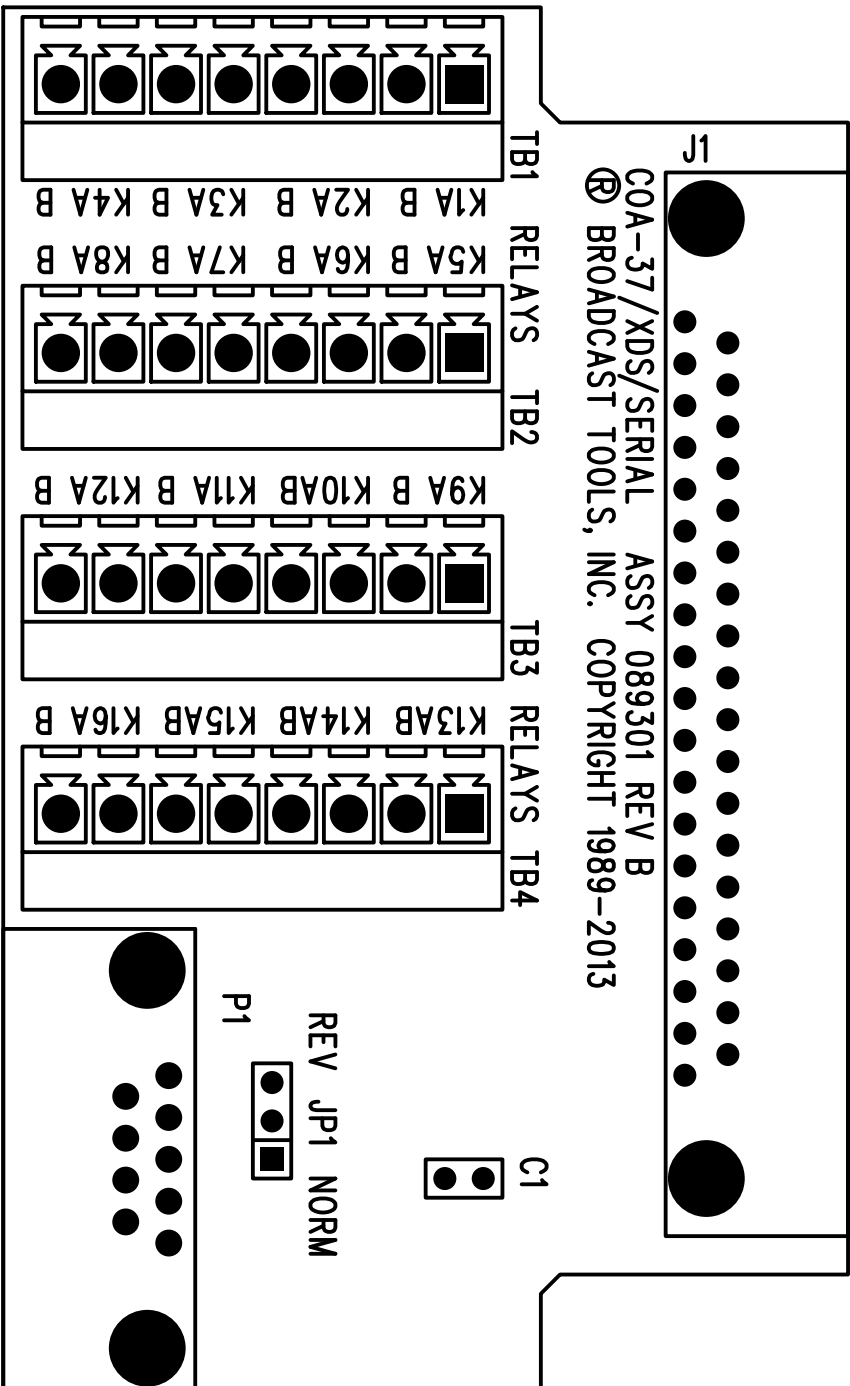
Broadcast Tools, Inc.

131 State Street
Sedro-Woolley, WA 98284 • USA

360.854.9559 **voice** • 866.783.1742 **fax**
support@broadcasttools.com **e-mail**
www.broadcasttools.com **website**

Broadcast Tools® COA-37 XDS/SERIAL

Component Layout

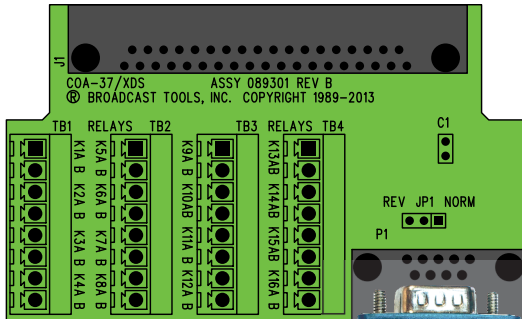


COA-37 XDS/SERIAL

NetCue Serial Application Examples

EXAMPLE #1

COA-37F to Satellite Receiver



**USB-to-Serial
Adaper Cable**
with DB9F to DB9F gender
changer (not shown).

OR

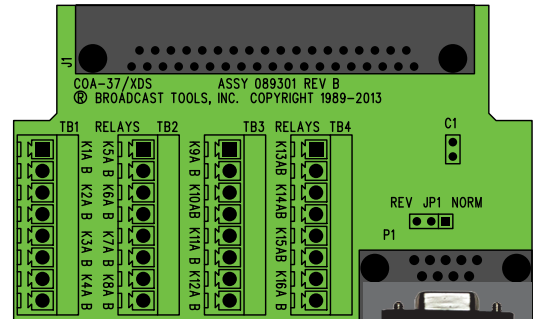
**DB-9 Serial cable
to COM Port**

**NetCue data via
serial terminal**

To PC

EXAMPLE #2

COA-37F to Satellite Receiver



**Lantronix xDirect
Serial-to-Ethernet
Device Server**

Lantronix part# XDT2321002-01-S
Estimated retail price: \$100.00
Available from most Lantronix
vendors.

5 VDC universal
USB power adapter

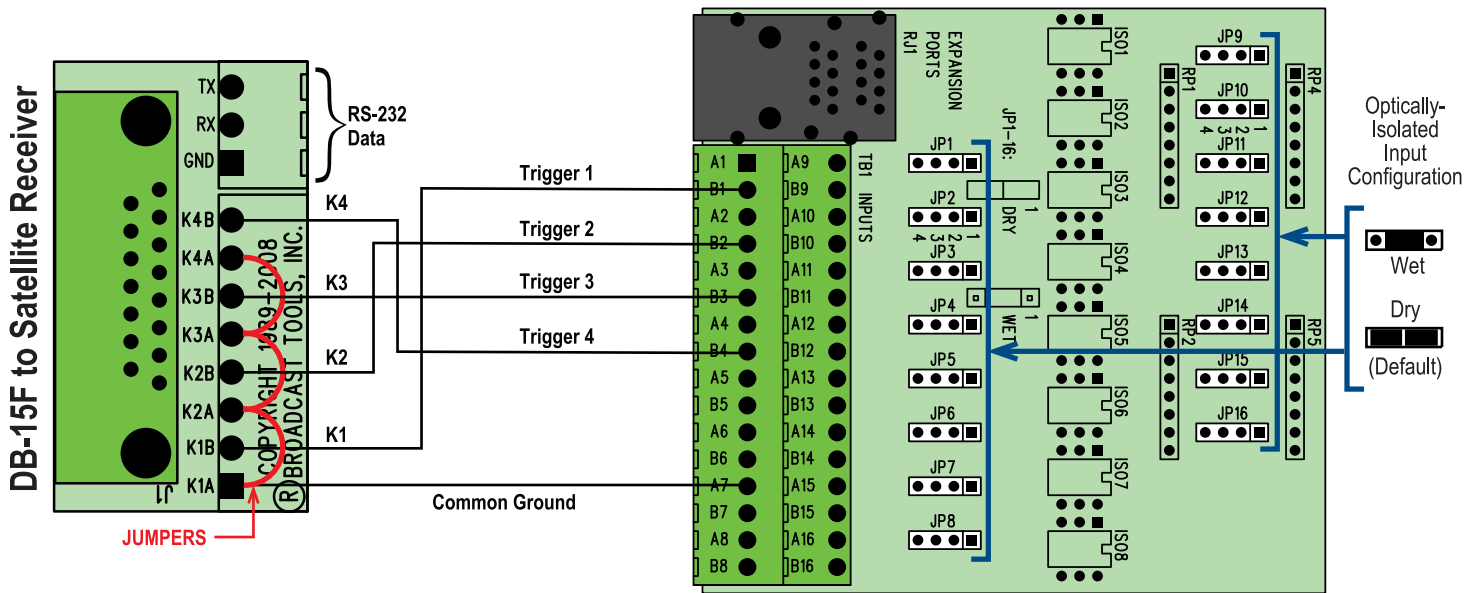
**NetCue data over
Ethernet via TCP
socket/Telnet**

To PC
and/or
Ethernet
Switch

COA-15 MAX & COA-37 XDS/SERIAL

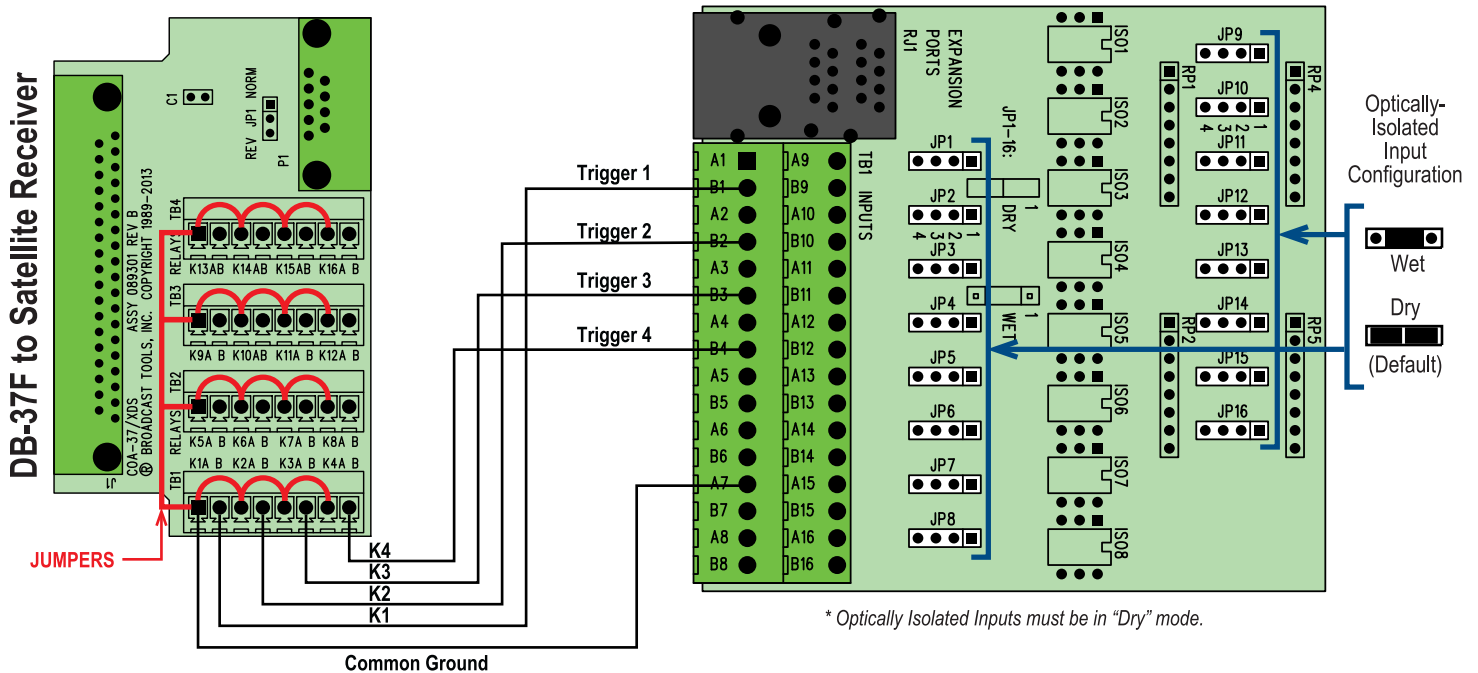
Wiring Example for Triggers (referred to as GPI's or PIP's)

COA-15 MAX to Broadcast Tools® SRC-16 and SRC-16 Plus.



* Optically Isolated Inputs must be in "Dry" mode.

COA-37 XDS/Serial to Broadcast Tools® SRC-16 and SRC-16 Plus.

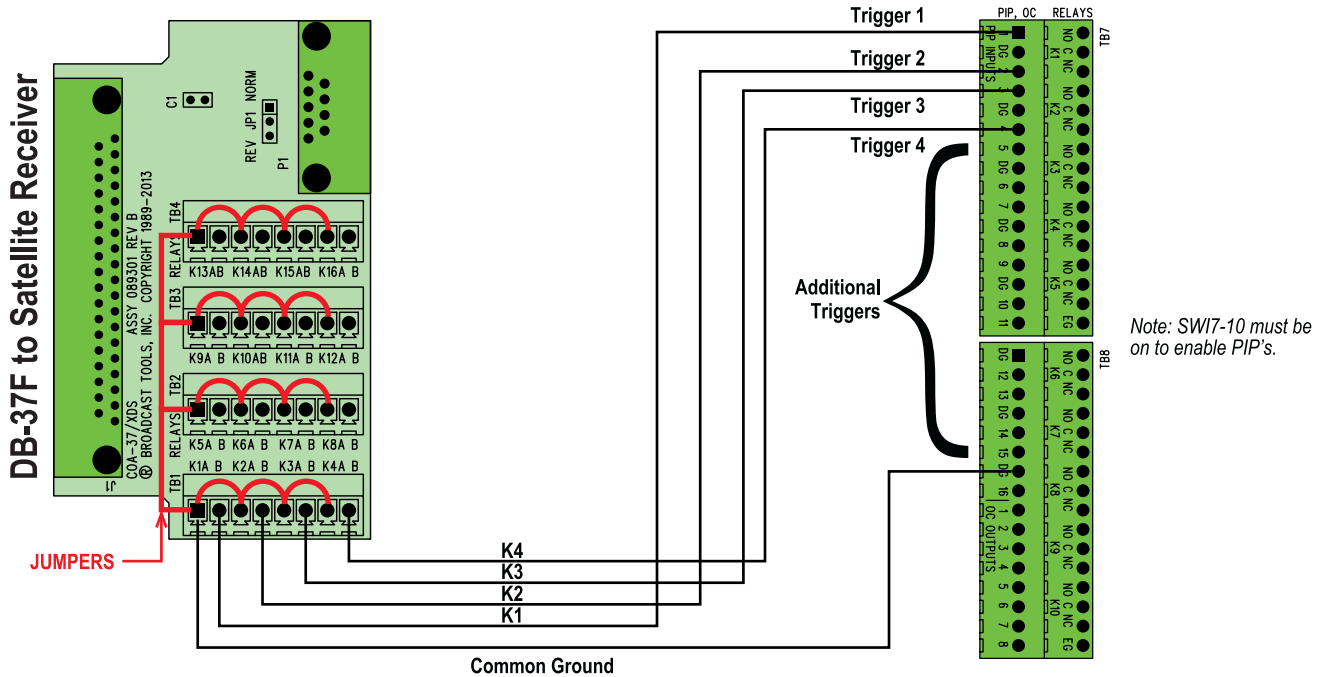


* Optically Isolated Inputs must be in "Dry" mode.

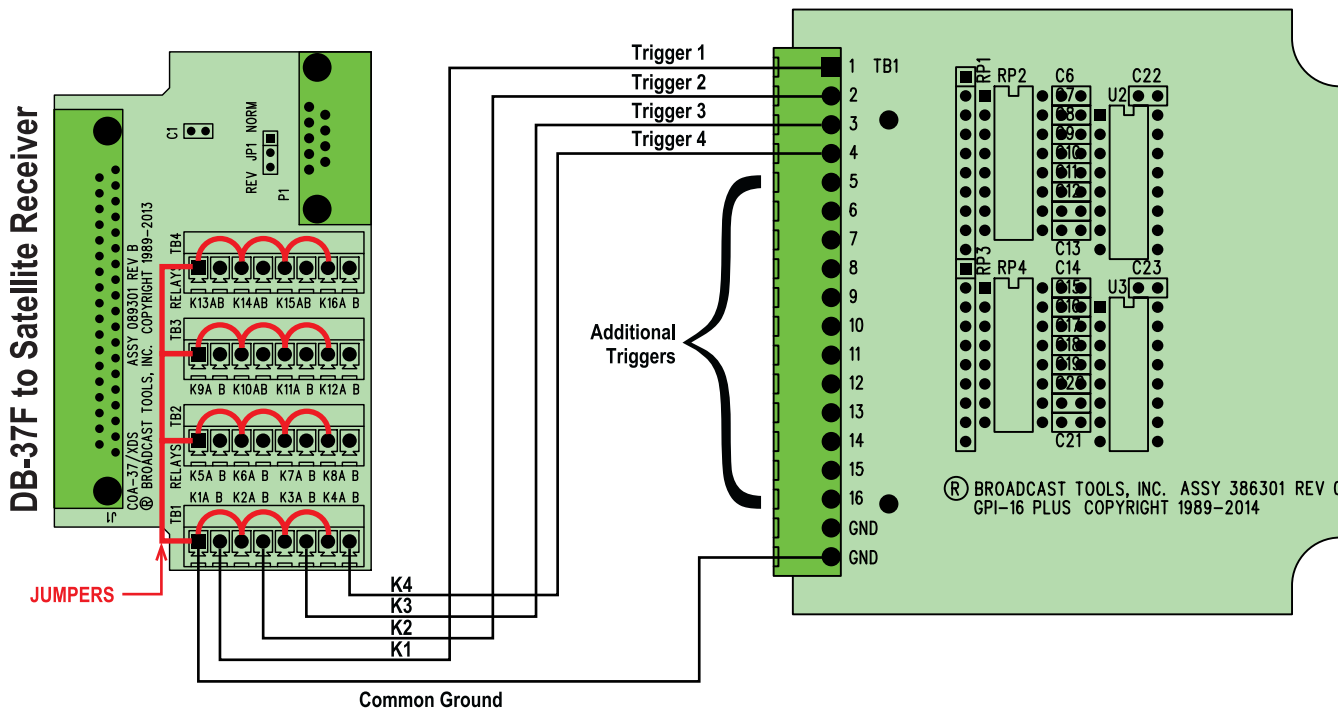
COA-37 XDS/SERIAL

Wiring Example for Triggers (referred to as GPI's or PIP's)

COA-37 XDS/Serial to Broadcast Tools® ACS 8.2 Plus or similar switcher.



COA-37 XDS/Serial to Broadcast Tools® GPI-16 Plus or GPI-32+2.



COA-37/XDS/Serial

COA-37/XDS/Serial attached to the Relay A connector on a XDS receiver.

