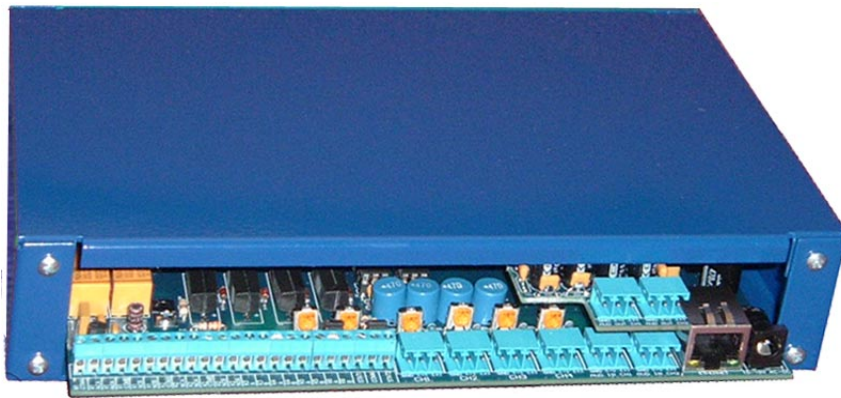


CircuitWerkes SiteSentry4- Web Based, 4 Channel, Remote Monitor & Controller with Optional Audio Streaming

The SiteSentry4 is a Full-Featured Remote Control for \$395.

The SiteSentry4s is the SiteSentry4 with audio streaming added for only \$509!



Remote Site Monitor with 4 DC Metering Inputs, 2 Status Inputs, 6 Relay Outputs, Audio Sensor, Optional Receive Streaming Audio (MP3 or Ogg-Vorbis) or Send Streaming Ogg-Vorbis Audio

The CircuitWerkes SiteSentry4 ushers in a new era of remote site monitoring. An internal Web server lets you monitor your site from any Web browser, anywhere in the world. Automatically detects both meter low and meter overload conditions on each channel. Combine channels to create IF/OR/AND alarm conditions. An internal temperature sensor can respond to high or low temperature conditions. Temperatures can be scaled and are displayed in Fahrenheit or Celsius. The external audio monitor meters two channels of audio and can respond if either silence or overload are detected.

Add Web monitoring and control to an existing dial-up controller

Not only are the SiteSentry series of remote controls great little stand-alone remote controls, they can also be used as a convenient way to add Web/network capabilities to your existing dial-up only remote control. If you have a dial-up remote control or a product where the Webserver is no longer supported, you don't have to get rid of your old hardware. Simply parallel the SiteSentry's metering inputs across the desired metering channels of your old remote control and also wire in the relay outputs in parallel, too. The SiteSentry will work in parallel with most older remote controls to provide a rich Web experience complete with independent alarm handler, NTP corrected real time clock and event scheduler, logging with emailing, and email/text message alarm notifications. Now you can upgrade your old remote control's capabilities for a fraction of the cost of replacing it. The SiteSentry series of controls do not use Java, ActiveX or any other proprietary software. Your SiteSentry unit will work on nearly every browser and across all major operating systems including Windows, Apple, Android and many others. Only one port is needed to access the Webserver.

Multi-purpose control functions

The SiteSentry4 gives you Web control of six relays (two are DPDT) that can be latching or momentary. Two status inputs give a visual indication, via the Web server, whenever triggered & can also activate automated relay actions. Use the SiteSentry4 anywhere that you need an inexpensive, network addressable, controller with status capabilities. Three

Features

- > Internal Web Server lets you monitor your site from anywhere in the world.
- > Channel monitoring via meters and digital readout of values.
- > Send e-mail or SMS text messages directly from the device.
- > All configuration data can be stored locally on a PC for re-use later. Never lose your configuration data again!
- > Supports DDNS services from dyndns.org and no-ip.org.
- > Remote reboot command
- > Web server supports netbios names for easy location.
- > Fully Flash upgradeable. Upgrade your unit's firmware in the field to use newly released features.
- > Can be used as a Shoutcast/ Icecast compatible audio streamer with embedded relay closures (non-synched to the audio).
- > Onboard dual input audio monitor can detect silence or overload on stereo or mono systems.
- > Web interface knows when it has lost communications with the site and alerts you and tries to reconnect automatically.
- > On-board temperature sensor displays Fahrenheit or Celsius.
- > 16 user-definable alarm conditions can trigger up to 3 actions (from a pool of 68) per alarm.
- > Two external status inputs can activate user-defined actions. Inputs are optocoupled and triggered by grounding or by supplying a voltage (user configured).
- > Six independent relay outputs (4 SPST & 2 DPDT), controlled by action sequences or by user command. Latching & momentary modes are supported.
- > Relays can be momentary or latching.
- > DHCP or Static IP capable.
- > emails or text messages you when alarms occur.
- > Keeps onboard logs that can be sent to your inbox via automatic e-mail.
- > Netbios name can be user changed.

SiteSentry4s Optional Streaming functions:

- > Receive Shoutcast/Icecast Ogg-Vorbis or MP3 audio streams.
- > Transmit Shoutcast/Icecast Ogg-Vorbis audio streams.
- > Transmit audio streams with or without internal audio AGC.

levels of user control are available ranging from reader up to administrator.

Automatic (user programmable) functions

When meter-low, overload, or external status change, is detected, the SiteSentry4 can perform user-programmed, automated, sequences of actions and can also respond to user control via the network or via external contact closure inputs. Actions can be programmed to run once or to repeat while the condition exists. Alternate actions (or cancellation of previous actions) can be set to run when the conditions return to normal. Action sequences can also be run manually.

E-mailing/SMS Texting

The SiteSentry4 supports SMTP and can send both e-mails and SMS text (to your phone) messages that alert you of alarm conditions. E-mailing is accomplished directly from the SiteSentry4 hardware.

Dynamic DNS (DDNS)

The SiteSentry4 supports dynamic IP redirect services like dyndns.org and no-ip.org. This allows you to use the SiteSentry4 on a dynamic IP instead of paying for a static IP. With DDNS, you can find your unit by name instead of by typing an IP number.

Onboard Clock with DST Aware Event Scheduler

The SiteSentry4 can track time using an NST time sync but will continue to keep time even if no NST server is available. Manual time sync is also permitted. In addition, a 50 event scheduler is included. The scheduler has a resolution of better than 1 second, so events can be scheduled at any second of any hour. Events can be set to repeat every day at a specific time for a month, then stop but to repeat again the next year (for AM station pattern/power changes).

Automatic Logging

Onboard logs are kept at a user specified interval. Logs can be e-mailed at regular intervals. Logs can also be included with alarm e-mails, if desired. The log format is user-defined via a two-part template.

Free Upgrades

The SiteSentry4 is field upgradable. When new features are added or when a bug is found, you can easily and safely upgrade the units in the field with the latest firmware through the Webserver. With free upgrades, you can always keep your SiteSentry4 up-to-date.

Up to two SiteSentry4s can be optionally rack mounted in a single sized rack shelf.

Administrators can perform all setup through the Webserver.

Streaming Audio Option (In or Out)

The "S" version of the SiteSentry4 (SiteSentry4s) includes the ability to decode Shoutcast/Icecast MP3 or Ogg-Vorbis audio streams. Stereo or mono streams are supported at bitrates up to 192kbs (no more than 128k is recommended due to an onboard buffer limit of 64k). Received audio streams may be routed through the DPDT relays for putting on the air as backup sources when a main audio failure is detected. The decoder mode includes station & song name decoding for Shoutcast as well as general stream information.

The SiteSentry4 also includes the ability to encode Shoutcast/Icecast compatible audio streams using the open-source Ogg-Vorbis format. 10 different streaming profiles are included. Ogg-Vorbis can be decoded by virtually all media players and is a very robust and high quality alternative to mp3 encoding. The SiteSentry4 can be used to either encode or to decode audio streams. Because it is half duplex, the SiteSentry4 can not encode and decode at the same time. Switching between transmit and receive is a one-button click.

The SiteSentry4 can be used as a stand alone streaming audio encoder or decoder with auxiliary relay outputs, however, the SiteSentry4 relays are not synchronized with the encoded audio. Audio in and out of the SiteSentry4 is **balanced**, stereo, on deplugable screw terminals.

List Price is just **395 (standard)** or **\$509 (streaming)/ea**

>	Stereo, active, balanced audio inputs and balanced audio outputs.
>	Receive streams for up to 5 different sources. Automatically retry streams
>	Automatically switch between up to 5 different audio streams.
>	Displays stream statistics on the main webpage.
>	Includes RTC with 50 event scheduler.

The screenshot displays the SiteSentry4 web interface for 'Site 1'. The interface is organized into several sections:

- Administrator Panel:** Includes 'Update Interval: 2000 ms', 'Front Panel' (Alarm Present, Custom LED 2), 'Externals' (Time Sync, External Stat 2), 'Audio Mode: Receiver' (myfavoritestation_URL:90...), 'Volume: [7] MUTE', and 'Station Name'.
- Monitoring Data Table:**

ON/OFF	Name	Value	Alarms
<input checked="" type="checkbox"/>	Forward PWR	5.18 KWatts	<input checked="" type="checkbox"/> Lower Alarm <input checked="" type="checkbox"/> Upper Alarm
<input checked="" type="checkbox"/>	Reflected PWR	15.14 Watts	<input checked="" type="checkbox"/> Lower Alarm <input checked="" type="checkbox"/> Upper Alarm
<input checked="" type="checkbox"/>	AC Voltage	108.71 Volts	<input checked="" type="checkbox"/> Lower Alarm <input checked="" type="checkbox"/> Upper Alarm
<input type="checkbox"/>	Disabled	0.00 Volts	<input type="checkbox"/> Lower Alarm <input type="checkbox"/> Upper Alarm
<input checked="" type="checkbox"/>	Temperature	122.7 Fahrenheit	<input checked="" type="checkbox"/> Lower Alarm <input checked="" type="checkbox"/> Upper Alarm
<input checked="" type="checkbox"/>	Audio Left	-31.7 dB	<input checked="" type="checkbox"/> Lower Alarm <input checked="" type="checkbox"/> Upper Alarm
<input checked="" type="checkbox"/>	Audio Right	-40.0 dB	<input checked="" type="checkbox"/> Lower Alarm <input checked="" type="checkbox"/> Upper Alarm
- Enabled alarms status:** A list of 16 alarm types, including 'Connect AUX Audio', 'Disconnect AUX Audio', 'Start backup A/C', 'Stop backup A/C', 'Email Admin', and various 'Alarm #' entries.
- Relays:** A list of 6 relays (Relay Label 1-6) with 'L', 'U', and 'M' status indicators and checkboxes.

At the bottom of the interface, it reads: 'CircuitWerkes Site Sentry 4 Web Interface v1.0, Web Server Firmware v1.0 ©Copyright 2011, CircuitWerkes, Inc.'

Above: The main operating screen for the SiteSentry4 with low audio level detected (red meter backgrounds).

Below: The Configuration Screen for the SiteSentry4

My Site #1 - Site Sentry 2 v1.0 Settings - Microsoft Internet Explorer

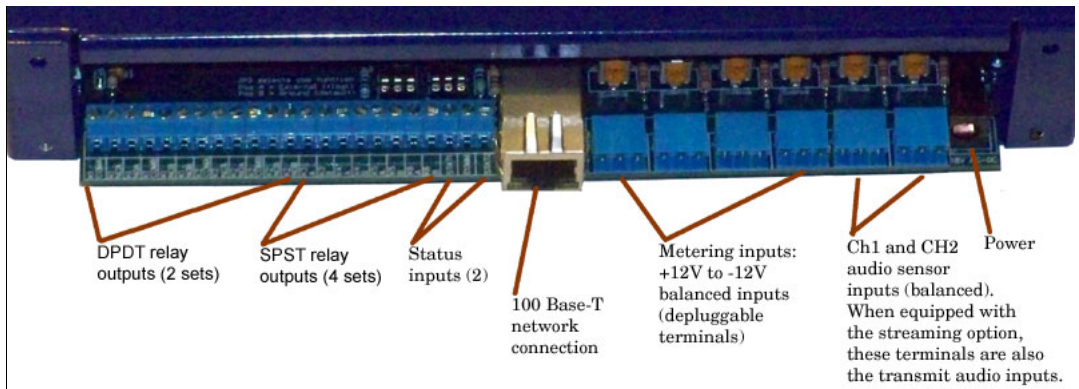
Settings:

		Import	Export
Unit name:	My Site #1 <input type="button" value="Submit"/>	Channel 1 tolerance value for lower (%)	<input type="text" value="5"/> <input type="button" value="Submit"/>
Channel 1 name:	FM Power Output <input type="button" value="Submit"/>	Channel 2 tolerance value for lower (%)	<input type="text" value="5"/> <input type="button" value="Submit"/>
Channel 2 name:	VSWR <input type="button" value="Submit"/>	Channel 1 tolerance value for upper (%)	<input type="text" value="85"/> <input type="button" value="Submit"/>
Channel 1 Relay 1 name:	Temperature <input type="button" value="Submit"/>	Channel 2 tolerance value for upper (%)	<input type="text" value="85"/> <input type="button" value="Submit"/>
Channel 1 Relay 2 name:	Silence Sensor <input type="button" value="Submit"/>	Channel 1 lower alarm ON delay value	<input type="text" value="5"/> <input type="button" value="Submit"/>
Channel 1 Relay 3 name:	Relay Label 1 <input type="button" value="Submit"/>	Channel 2 lower alarm ON delay value	<input type="text" value="5"/> <input type="button" value="Submit"/>
Channel 2 Relay 1 name:	Relay Label 2 <input type="button" value="Submit"/>	Channel 1 lower alarm OFF delay value	<input type="text" value="2"/> <input type="button" value="Submit"/>
Channel 2 Relay 2 name:	Relay Label 3 <input type="button" value="Submit"/>	Channel 2 lower alarm OFF delay value	<input type="text" value="2"/> <input type="button" value="Submit"/>
Channel 2 Relay 3 name:	Relay Label 4 <input type="button" value="Submit"/>	Channel 1 upper alarm ON delay value	<input type="text" value="5"/> <input type="button" value="Submit"/>
Channel 1 lower name:	Relay Label 5 <input type="button" value="Submit"/>	Channel 2 upper alarm ON delay value	<input type="text" value="5"/> <input type="button" value="Submit"/>
Channel 2 lower name:	Relay Label 6 <input type="button" value="Submit"/>	Channel 1 upper alarm OFF delay value	<input type="text" value="2"/> <input type="button" value="Submit"/>
Channel 1 upper name:	Lower Alarm <input type="button" value="Submit"/>	Channel 2 upper alarm OFF delay value	<input type="text" value="2"/> <input type="button" value="Submit"/>
Channel 2 upper name:	Lower Alarm <input type="button" value="Submit"/>	External 1 alarm ON delay value	<input type="text" value="5"/> <input type="button" value="Submit"/>
Custom LED 1 name:	Lower Alarm <input type="button" value="Submit"/>	External 2 alarm ON delay value	<input type="text" value="5"/> <input type="button" value="Submit"/>
Custom LED 2 name:	Lower Alarm <input type="button" value="Submit"/>	External 1 alarm OFF delay value	<input type="text" value="2"/> <input type="button" value="Submit"/>
External input 1 name:	Upper Alarm <input type="button" value="Submit"/>	External 2 alarm OFF delay value	<input type="text" value="2"/> <input type="button" value="Submit"/>
External input 2 name:	Upper Alarm <input type="button" value="Submit"/>	Static IP <input type="text" value="192"/> <input type="text" value="168"/> <input type="text" value="0"/> <input type="text" value="191"/>	<input type="checkbox"/> Enable <input type="button" value="Submit"/>
<input type="button" value="Submit All Labels"/>		<input type="button" value="Submit All Delays/Tolerances"/>	
Admin Password:	<input type="password"/>	<input type="button" value="Submit"/>	
Controller Password:	<input type="password"/>	<input type="button" value="Submit"/>	
Reader Password:	<input type="password"/>	<input type="button" value="Submit"/>	

Alarms:

Alarm #1		Alarm #2		Alarm #3	
Event	Disabled	Event	Disabled	Event	Disabled
Action	Disabled	Action	No Action	Action	No Action
Pause	Lower ON (CH1) Lower ON (CH2) Lower ON (CH1 AND CH2) Lower ON (CH1 OR CH2)	Pause	<input type="text" value="0"/>	Pause	<input type="text" value="0"/>
Action	Lower OFF (CH1) Lower OFF (CH2)	Action	No Action	Action	No Action
Pause		Pause	<input type="text" value="0"/>	Pause	<input type="text" value="0"/>

Below: The SiteSentry4's back panel layout



CircuitWerkes SiteSentry4 Web based remote control

Not Shown: SiteSentry4s audio output connectors. These are on a daughterboard normally mounted above the audio input connectors. The device pictured is the basic SiteSentry4.

[HOME](#) [PRODUCTS](#) [DEALER LINKS](#) [SUPPORT](#) [NEWS](#) [CONTACT](#)

Copyright © 2004-2022 CircuitWerkes Inc. All Rights Reserved.