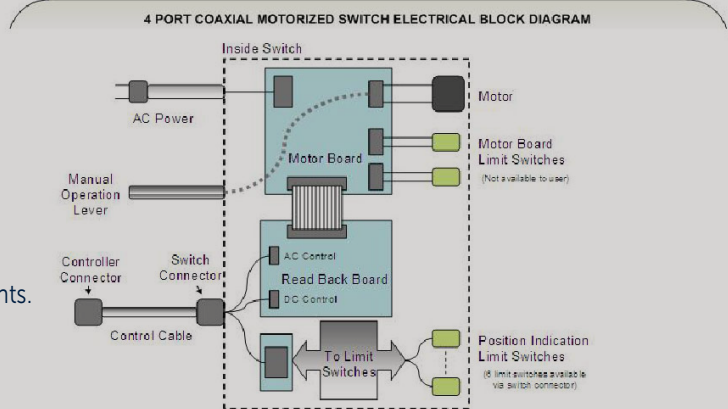
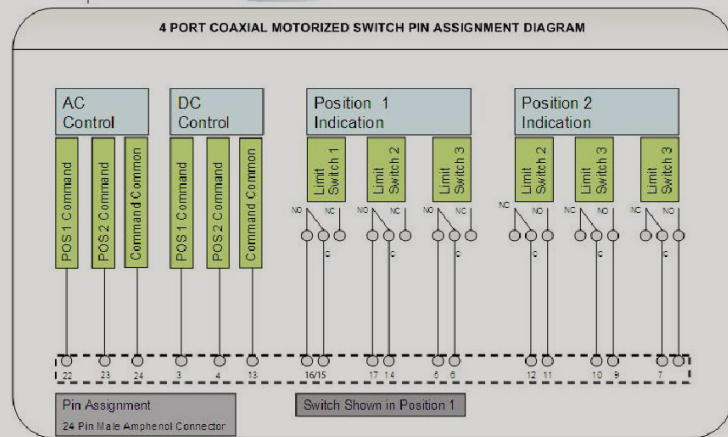


Key Features:

- Low Insertion Loss
- Low VSWR
- Motor drive switching
- Indoor applications
- Emergency manual operation
- Pressurized upon request
- Two-way switches



Notes

- 1) Special operating frequency requests beyond specified operating range accepted. Call factory for details.
- 2) For more than 5,000 feet (1,524 m), please consult the factory.
- 3) Coaxial switches must not be exposed to condensing moisture environments.
- 4) 104°F (+40°C) ambient temperature, 145°F (63°C) outer temperature, 248°F (120°C) inner temperature, sea level, 0 PSIG, VSWR=1.0
- 5) Limit Switches are used for readout and position indication.

Trusted for Decades. Ready for Tomorrow.

PARAMETER	SPEC	
Model Number	DC 60000-200	DC 60000-205
Input/Output Connectors	1-5/8" EIA	1-158" EIA
Impendacne	50 ohms	50 ohms
Peak Power at Sea Level	4.5 kW	4.5 kW
Frequency Range	DC 900 MHz	DC 900 MHz
Max. Altitude	10,000 feet (3,050m)	10,000 feet (3,050m)
Ambient Temperature	32°F (0°C) to 113°F (45°C)	32°F (0°C) to 113°F (45°C)
Storage Temperature	32°F (0°C) to 122°F (50°C)	32°F (0°C) to 122°F (50°C)
Storage/ Ambient Humidity	0-98% non condensing	0-98% non condensing
Average Power		
108 MHz	≤12.1 kW	≤12.1 kW
230 MHz	≤8.3 kW	≤8.3 kW
776 MHz	≤4.5 kW	≤4.5 kW
860 MHz	≤4.3 kW	≤4.3 kW
Insertion Loss	≤0.1 dB	≤0.1 dB
VSWR	≤1.05	≤1.05
Isolation	>60 dB	>60 dB
Switching Time	3 sec.	3 sec.
Electrical Data		
Motor Operating Voltage	115 V AC 50/60 Hz	230 V AC 50/60 Hz
Motor Operating Current	1.25 Amps-start 0.6 Amps-run	0.924 Amps-start 0.5 Amps-run
Control Voltage	12/24 V DC, 115/230 V AC	12/24 V DC, 115/230 V AC
Limit Switch Rating		
Voltage	125/230 V AC	125/230 V AC
Current	1/3 HP, 10 Amps	1/3 HP, 10 Amps
Weight	42 lbs (19 kg)	42 lbs (19 kg)