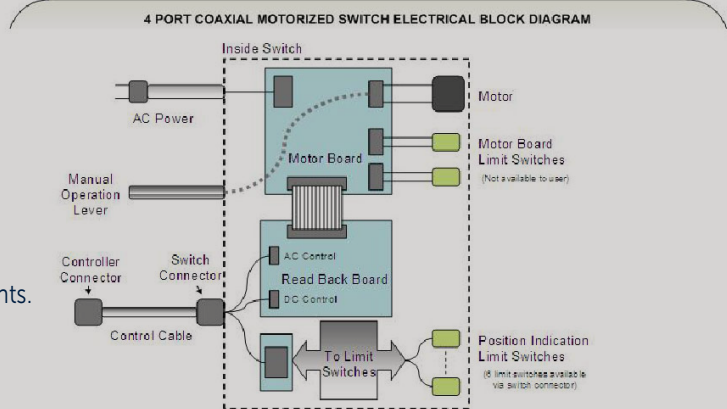
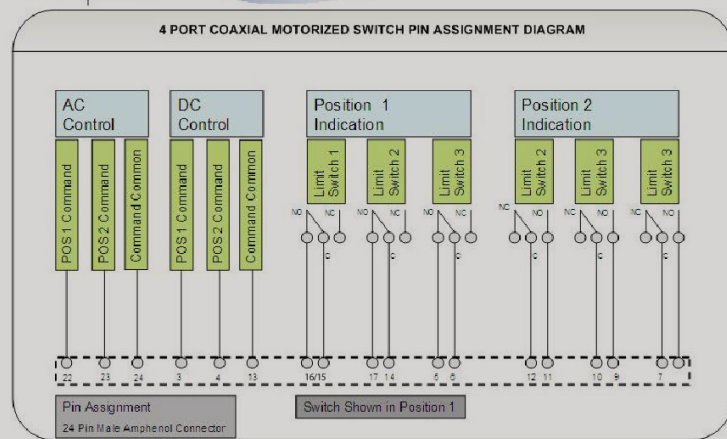


Notes

- 1) Special operating frequency requests beyond specified operating range accepted. Call factory for details.
- 2) For more than 5,000 feet (1,524 m), please consult the factory.
- 3) Coaxial switches must not be exposed to condensing moisture environments.
- 4) 104°F (+40°C) ambient temperature, 145°F (63°C) outer temperature, 248°F (120°C) inner temperature, sea level, 0 PSIG, VSWR=1.0
- 5) Limit Switches are used for readout and position indication.

Key Features:

- Low Insertion Loss
- Low VSWR
- Motor drive switching
- Indoor applications
- Emergency manual operation
- Pressurized upon request
- Two-way switches



Trusted for Decades. Ready for Tomorrow.

PARAMETER	SPEC	
Model Number	DC 60000-300	DC 60000-305
Input/Output Connectors	3-1/8" EIA	3-1/8" EIA
Impendacne	50 ohms	50 ohms
Peak Power at Sea Level	6 kW	6 kW
Frequency Range	DC 900 MHz	DC 900 MHz
Max. Altitude	10,000 feet (3,050m)	10,000 feet (3,050m)
Ambient Temperature	32°F (0°C) to 113°F (45°C)	32°F (0°C) to 113°F (45°C)
Storage Temperature	32°F (0°C) to 122°F (50°C)	32°F (0°C) to 122°F (50°C)
Storage/ Ambient Humidity	0-98% non condensing	0-98% non condensing
Average Power		
108 MHz	≤40.5 kW	≤40.5 kW
230 MHz	≤28 kW	≤28 kW
776 MHz	≤15.1 kW	≤15.1 kW
860 MHz	≤14.4 kW	≤14.4 kW
Insertion Loss	≤0.1 dB	≤0.1 dB
VSWR	≤1.05	≤1.05
Isolation	>60 dB	>60 dB
Switching Time	3 sec.	3 sec.
Electrical Data		
Motor Operating Voltage	115 V AC 50/60 Hz	230 V AC 50/60 Hz
Motor Operating Current	1.25 Amps-start 0.6 Amps-run	0.924 Amps-start 0.5 Amps-run
Control Voltage	12/24 V DC, 115/230 V AC	12/24 V DC, 115/230 V AC
Limit Switch Rating		
Voltage	125/230 V AC	1/3 HP, 10 Amps
Current	1/3 HP, 10 Amps	1/3 HP, 10 Amps
Weight	54 lbs (24.5 kg)	54 lbs (24.5 kg)