

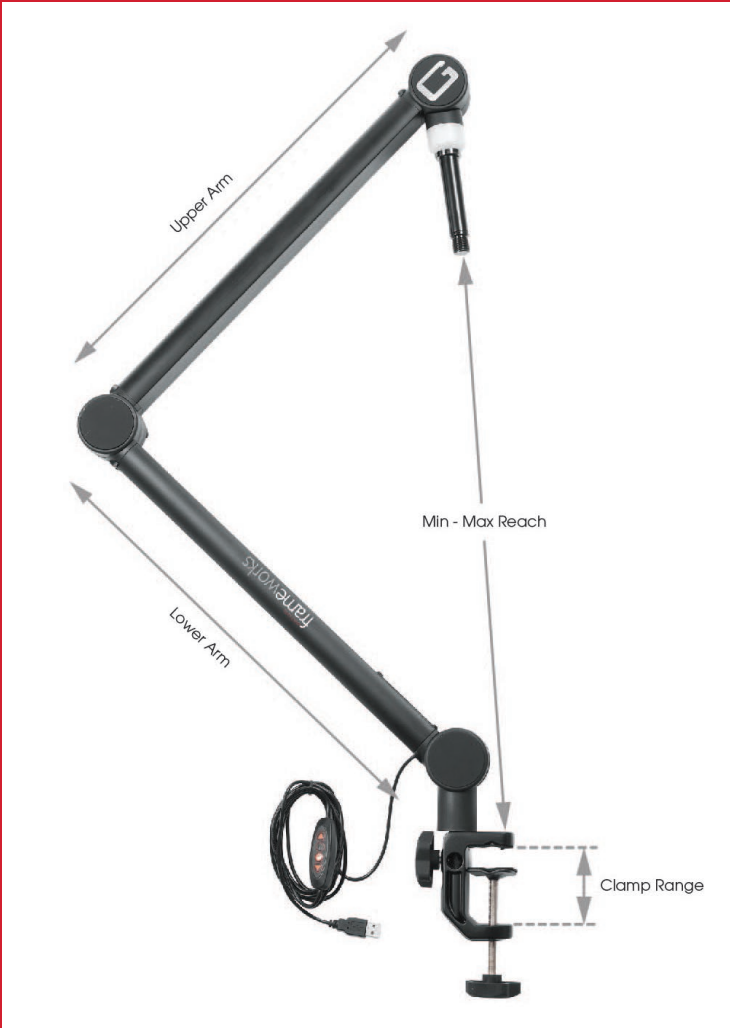
PROFESSIONAL BROADCAST MIC BOOM

GFWMICBCBM4000

GATOR
frameworks

COPYRIGHT GATOR CO. • ALL RIGHTS RESERVED • 7/2020 • REV.A

PRODUCT DIMENSIONS



FEATURES



// 10' REMOVABLE XLR CABLE INCLUDED



// EASY ADJUST DESKTOP CLAMP



// BUILT-IN LED ON-AIR INDICATOR LIGHT



// EASY ADJUST WITH SOFT TOUCH KNOBS

Compact Overall (H x W x L)	40.94 x 2.63 x 1.5in (1,040 x 67 x 38mm)
Min - Max Reach	20.5" - 32.25in (520-819mm)
Clamp Range	0 - 2.17in (0 - 55mm)
Upper Arm	18in (457mm)
Lower Arm	18in (457mm)
Tube Material	Aluminum
Color/ Finish	Black Powder-Coated
Product Weight	4.2 lbs (1.9kg)
Max Weight Capacity	4.4 lbs (2kg)

GATOR FRAMEWORKS IS DEDICATED TO PRODUCING THE HIGHEST QUALITY STANDS AND ACCESSORIES. WE BACK UP THAT COMMITMENT WITH A 3 YEAR WARRANTY ON ANY MANUFACTURING DEFECTS IN MATERIAL AND WORKMANSHIP. THIS WARRANTY APPLIES TO THE ORIGINAL OWNER AND REQUIRES PROOF OF PURCHASE. OUR WARRANTY ENTITLES THE ORIGINAL OWNER REPAIR OR REPLACEMENT OF THE PRODUCT OR REPLACEMENT WITH A COMPARABLE PRODUCT OF SIMILAR VALUE AND CONDITION AT OUR DISCRETION. THIS WARRANTY IS LIMITED TO GATOR FRAMEWORKS PRODUCTS ONLY AND EXCLUDES LOSS OF PERSONAL PROPERTY, LOSS OF USE, ACCIDENTAL DAMAGE, MISUSE, OR NORMAL WEAR AND TEAR.

FOR FULL WARRANTY INFORMATION VISIT

GATORFRAMEWORKS.COM



5112 W. Linebaugh Ave. • Tampa, FL • Phone: (+1) 813.221.4191 • Fax: (+1) 813.221.4181

Visit GatorCases.com for more service & product information • All rights reserved Gator Co.