

MULTIPHONES GUEST POD II™

HEADPHONE AMPLIFIER with TALENT CONTROL

HENRY ENGINEERING

PO Box 3796
Seal Beach, CA 90740
Tel: 562.493.3589
www.henryeng.com

DESCRIPTION

The MultiPhones Guest Pod II is an individual headphone listening station for use with the MultiPhones Distributed Headphones System. It features a high performance headphone amplifier, plus two illuminated pushbuttons that are typically used by talent for “Cough” and “Talkback” functions. When used with the MultiPhones Master unit, power and audio are supplied by the Master. The Guest Pod can also be used as a “stand alone” headphone listening station (without a MultiPhones Master unit) if other powering is provided. The Guest Pod includes a Level control and both ¼” and 3.5mm headphone jacks.

INSTALLATION

The Guest Pod II is designed for tabletop, under-counter, or in-cabinet installation. For tabletop use, install the rubber “feet” on the bottom of the enclosure. Another option is to install two #8 screws in the tabletop, 3” apart, and slide the unit onto the screw heads. For under-counter installation, open the Guest Pod enclosure by removing the four corner screws from the bottom of the unit. Remove the top of the “clamshell” enclosure. Drill screw holes in the top as necessary and screw the top to the underside of the countertop. Re-attach the lower section to the top with the bottom screws. The Guest Pod II can also be mounted into cabinetry using the optional Cabinet Mounting Plate.

For use with MultiPhones Master unit: The Guest Pod(s) is connected to the MultiPhones Master unit using cat5 cabling. In most cases, unshielded cables can be used. **WARNING! DO NOT USE “CROSSOVER” CABLES.**

Connect up to 3 Guest Pods directly to the MultiPhones Master unit. Each Guest Pod has 2 RJ45 connectors, which are wired in parallel. (Use either connector.) Additional Guest Pods can be “daisy chained” together in any combination. The total number of Guest Pods connected to one MultiPhones Master should not exceed 12 units.

For use as a “stand alone” headphone listening station: For “stand alone” use, the Guest Pod requires a power source. Henry Engineering’s **PowerPod** or any 9-12 volt **AC** transformer may be used. The PowerPod will power up to 12 Guest Pods. If a 12V AC transformer is used, each Guest Pod will require about 50 mA.

Two ¼” TRS input jacks on the rear panel accept stereo balanced audio at about 0 dBu.
Wire the inputs as follows: **Tip = High; Ring = Low; Sleeve = Ground.**

Multiple Guest Pods can be used by “daisy chaining” them together with cat5 cabling. Both power and audio will be distributed to all Guest Pods via the cat5 cables. (To distribute power but not audio, remove R1, R19, R21, & R22 from each Guest Pod unit in the system.)

Talent control buttons: The two talent buttons (Cough and Talkback) must be wired to the Control RJ45 connector by the user. Any pin-out can be accommodated. Install wires between the switch terminals and the PC board pads labeled **W1** thru **W8**, which correspond to the pins on the Control RJ45 connector. Be sure to install a resistor in series with the LED in each switch according to the tally supply voltage being used. (12vdc = 2K ohms.)
See the schematic on the reverse side for switch terminal details.

OPERATION

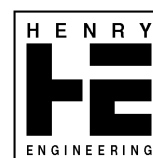
The Guest Pod II is simple in its operation. The LEVEL controls adjust the audio level to the PHONES jacks. Do not use both jacks at the same time. Use headphones with an impedance between 24 and 600 ohms.
Do not use older “8-ohm” headphones. Excessive listening levels can cause permanent hearing damage!

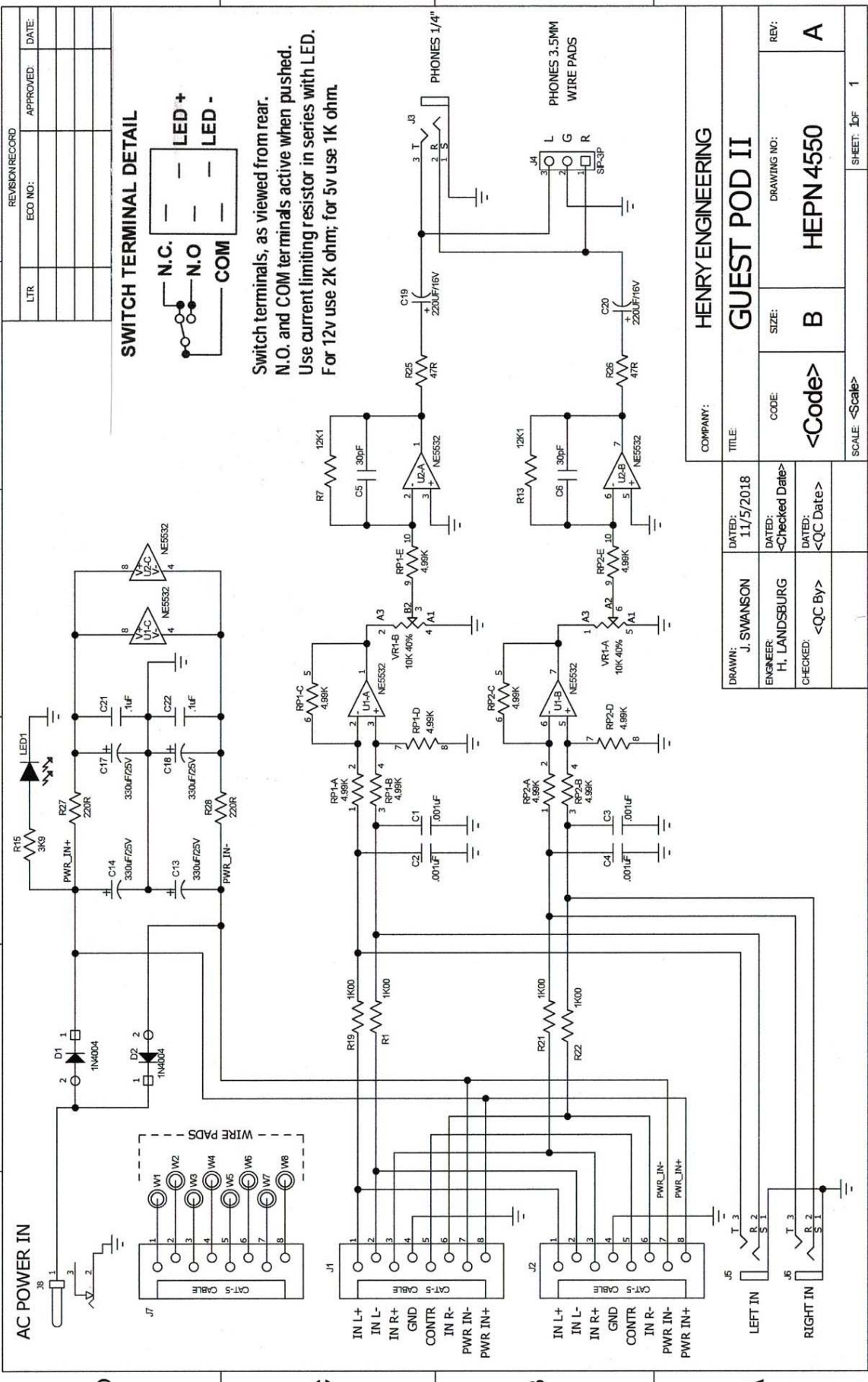
SPECIFICATIONS

INPUT	From MultiPhones Master unit or ¼” TRS jacks, 2X, 0 dBu, balanced 20K
OUTPUT	For 24 – 600 ohm headphones, ¼” and 3.5mm jacks
FREQUENCY RESPONSE	5 Hz – 20 kHz, +/- 0.25 dB
DISTORTION	.005% typical
NOISE	-80 dBm typical
POWER INPUT	Supplied by MultiPhones Master unit, PowerPod, or 9-12 VAC transformer, 50mA per unit
PHYSICAL DIMEN	5.75”w X 1.75”h X 6.0”d, 1 LB
MOUNTING PLATE (optional)	5.5”w X 1.5”h, 6.0” behind panel; cutout: 4.5”w X 1.0”h

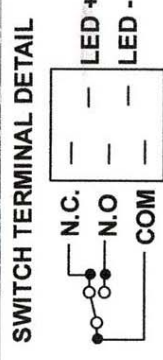
Specifications subject to change without notice.

Rev. 1/19





REVISION RECORD	
LTR	DATE



Switch terminals, as viewed from rear.
N.O. and COM terminals active when pushed.
Use current limiting resistor in series with LED.
For 12v use 2K ohm; for 5v use 1K ohm.

COMPANY: HENRY ENGINEERING	
TITLE: GUEST POD II	REV: A
CODE: <Code>	SIZE: B
DATED: 11/5/2018	DRAWING NO: HEPN 4550
CHECKED: <QC By>	SCALE: <Scale>
ENGINEER: H. LANDSBURG	SHEET: 1 of 1