

# ***STEREOSWITCH II***

## **THREE INPUT STEREO AUDIO SWITCHER**

HENRY ENGINEERING

PO Box 3796  
Seal Beach, CA 90740  
Tel: 562.493.3589  
www.henryeng.com

### **DESCRIPTION**

StereoSwitch is a three-input stereo audio switcher. It accepts up to three stereo balanced audio sources, selecting one source that is routed to the stereo balanced output. It can be used as a line-level audio source selector, or "in reverse" as an audio router, sending an audio source to one of three destinations. Audio switching is via sealed relays; there is no active circuitry in the audio path. The unit can be controlled by front panel pushbuttons and/or by any remote switch or contact closure, TTL/CMOS logic, or DC voltage. Internal power-up programming permits the user to determine which input is automatically selected when AC is applied. An optional Auto-Return mode automatically selects Input #1 if no other input is selected. Tally outputs are provided to drive remote status LEDs. Inputs that are not selected can be automatically terminated.

### **WARNING! For 230V operation, change mains voltage jumpers before connecting to AC power!**

Remove jumpers between E6 & E7, and between E5 & E8. Install a jumper between E5 & E6 for 230V; replace fuse with a .125a fuse. See schematic on reverse side. Jumpers should be changed by a qualified technician only.

### **INSTALLATION**

All audio inputs and outputs are connected via plug-in eurblocks connectors. Remove about 1/8" of insulation, insert wire into the plug, and tighten the screw. Be sure that no bare wires are exposed.

Connect all audio inputs and outputs to the appropriate connectors. For best performance, audio circuits should be at professional line level, low impedance and balanced.

StereoSwitch can be controlled with any contact closure, open-collector, or by applying a DC voltage (5 - 24 VDC) from an external source, e.g., the TTL-level output of a computer interface or a logic circuit. Control inputs can be either momentary or maintained.

**Control logic programming:** Before connecting control inputs, the user must determine the type of control that will be used, and configure internal programming jumpers accordingly. There are 3 Control inputs, one for each audio source. Each Control input can be set to accept one of 3 types of control input: (1) a contact closure that switches to ground, (2) a contact closure that switches to a positive voltage, or (3) a DC voltage between 5 and 24 VDC.

The programming jumpers are located within the unit just behind the front panel. They are marked JP1, JP2, and JP3, for Control inputs #1, #2 and #3. Each set of programming jumpers has pin-pairs labeled **A, B, and P**.

To configure an input for control via **any circuit that switches to a positive voltage, or to control by applying a DC voltage:** Install two jumpers in the **A** positions. To configure an input for control via **any circuit that switches to ground:** Install two jumpers in the **B** positions. (StereoSwitch is shipped with this configuration preset.)

Connect Control inputs via the 9-pin D connector as follows:

Pin 1	Control #1 input	Pin 4	Ground	Pin 7	Tally #1 output
Pin 2	Control #2 input	Pin 5	+12 VDC source	Pin 8	Tally #2 output
Pin 3	Control #3 input	Pin 6	Remote Disable	Pin 9	Tally #3 output

Connect all control input signals between pin 4 (ground) and the desired Control input pin. For open-collector interface, connect the emitter to pin 4 (Ground), and connect the open-collector to the appropriate Control input.

**Power-up programming:** Each set of programming jumpers has a **P** option to set the power-up programming. The input that is selected with the **P** jumper will be automatically selected upon power-up. Install a **P** jumper in **one input only**. StereoSwitch is shipped from the factory with the Input #1 **P** jumper set for power-up.

**Auto-Return mode:** StereoSwitch can be configured to return to Input #1 if no other input is selected. This would be applicable if external equipment provides a *maintained* closure when switching should occur, and the *release* of this closure is used to return to input #1. To use the Auto-Return mode, 4 components must be installed on the StereoSwitch PC board: Two 1N4004 diodes (D6, D7), one 10K resistor (R3), and one 35uF/25v capacitor (C2). Install these components on the PC board where indicated. Observe polarity.

**NOTE: ALL of the power-up "P" jumpers must be removed when the Auto-Return mode is used.**



To use the Auto-Return mode, ALL Control inputs **must be configured for ground-closure use**, with jumpers in the **B** positions. Control inputs to #2 and/or #3 must be ground closures. Connect between pin 4 (ground) and the appropriate Control input. **DO NOT** connect anything to Control input #1 (pin 1). **Remove the "P" jumper**.

When either Input #2 or #3 is selected with a *maintained* closure, StereoSwitch will switch to that input. When the closure is *released*, StereoSwitch will return to Input #1.

StereoSwitch provides TALLY outputs to drive external indicator LEDs. The Tally outputs are open collectors, which go LOW when the input is active. Connect status LEDs between each TALLY output and +12V (pin 5) on the D connector.

**Termination:** StereoSwitch is supplied with terminating resistors installed. Inputs that are not selected are terminated with 600 ohms. To defeat this feature, remove the terminating resistors:  
 INPUT #1: R17, R18      INPUT #2: R19, R20      INPUT #3: R21, R22

**OPERATION**

Operation is straightforward. Activating any control input will select the corresponding audio source. Switching always occurs at the leading edge the control input. Only one source can be selected at a time. Do not "overlap" control inputs; doing so will lock-out all audio sources. The tally lights on the StereoSwitch front panel indicate which input source is active. Remote Tally indicators will follow these lights.

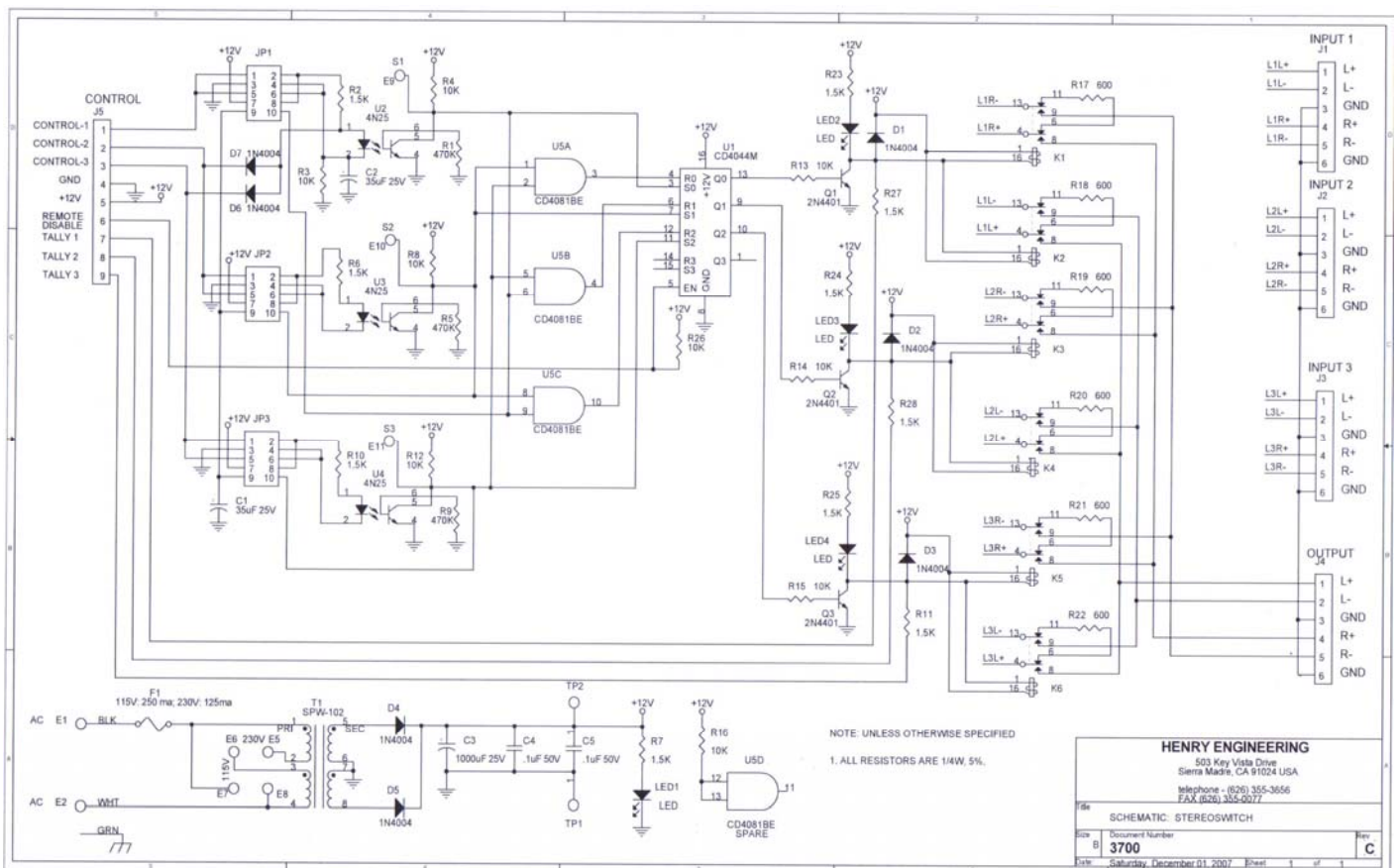
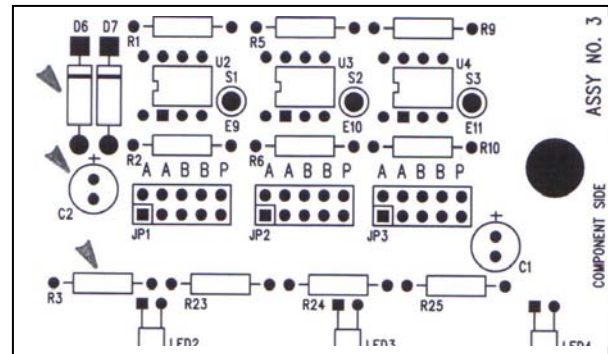
**Remote Disable:** If the REMOTE DISABLE input (pin 6) is connected to GROUND (pin 4), ALL inputs will be OFF; no audio will be sent to the OUTPUT terminals. When the ground connection is released, the input previously active will return ON. Note that input selection is still active even if the DISABLE function is used.

**FOR AUTO-RETURN OPERATION**

Install these components, see diagram at right:

- D6, D7:** 1N4004 diodes X2
- C2:** 35uF/25V capacitor
- R3** 10K 1/4 W resistor

Install jumpers J1P, JP2, JP3 according to input signal used for control. See text for details.



NOTE: UNLESS OTHERWISE SPECIFIED  
 1. ALL RESISTORS ARE 1/4W, 5%.

**HENRY ENGINEERING**  
 503 Kiny Vista Drive  
 Sierra Madre, CA 91024 USA  
 Telephone: (626) 355-3656  
 FAX: (626) 355-0277

Rev: B      Document Number: 3700      Rev: C

DATE: Saturday, December 01, 2007      Sheet: 1 of 1