



### FEATURES

	BP	RM1
» HD Voice (Wide-Band Speech)	•	•
» Bluetooth Wireless Technology	•	
» 4-conductor 3.5mm Headset Interface		•
» Headphone, Mic, and Line Input Level Controls	•	•
» XLR Mic Input	•	•
» Mic Mute Switch		•
» 3.5mm Stereo Line Input	•	•
» 3.5mm Stereo Line Output	•	•
» ¼" Stereo Headphone Jack	•	•
» >10 Hours on one 9V Alkaline Battery	•	
» >20 Hours on one 9V Alkaline Battery		•

BluePack and RemoteMix One are shown for comparison

**BP** = BluePack      **RM1** = RemoteMix One

**HD Voice.** BluePack features HD Voice technology, allowing 7 kHz Wide Band Speech phone calls when used with compatible phones on compatible networks, or when using wide band voice codec apps.

Read our HD Voice primer for more details.  
[www.jkaudio.com/support/tech-notes](http://www.jkaudio.com/support/tech-notes)

**Truly Mobile Field Reporting.** BluePack allows live reporter-on-the-street interviews through a phone or tablet using Bluetooth Wireless Technology. Simply pair to your mobile device like a Bluetooth wireless headset. This sleek belt pack provides a professional look and feel to field reporters and remote talent.

**Inputs and Outputs.** The professional microphone preamp and powerful headphone amplifier make sure the message gets through. A 3.5 mm stereo line input jack allows recordings to be mixed into the broadcast. The 3.5 mm stereo line output jack provides your full bandwidth microphone signal on the left channel and Bluetooth return audio on the right channel. This allows you to make a full bandwidth backup recording using your favorite recorder.

**Live Monitoring.** The stereo headphone output gives you a mix of the XLR microphone input, 3.5 mm input, and Bluetooth audio. This powerful ½ watt stereo headphone amplifier will cut through any crowd noise.

**Audio for Video.** BluePack, along with a professional video camera app, lets you transmit or record broadcast worthy interviews while placing the mic in the subjects hand for improved audio quality. Connect headphones or an IFB earpiece to monitor the return from the station or playback of the video. Alternatively, a boom operator can use BluePack to monitor the mic signal as the Bluetooth wireless audio gets transmitted to the phone or tablet.

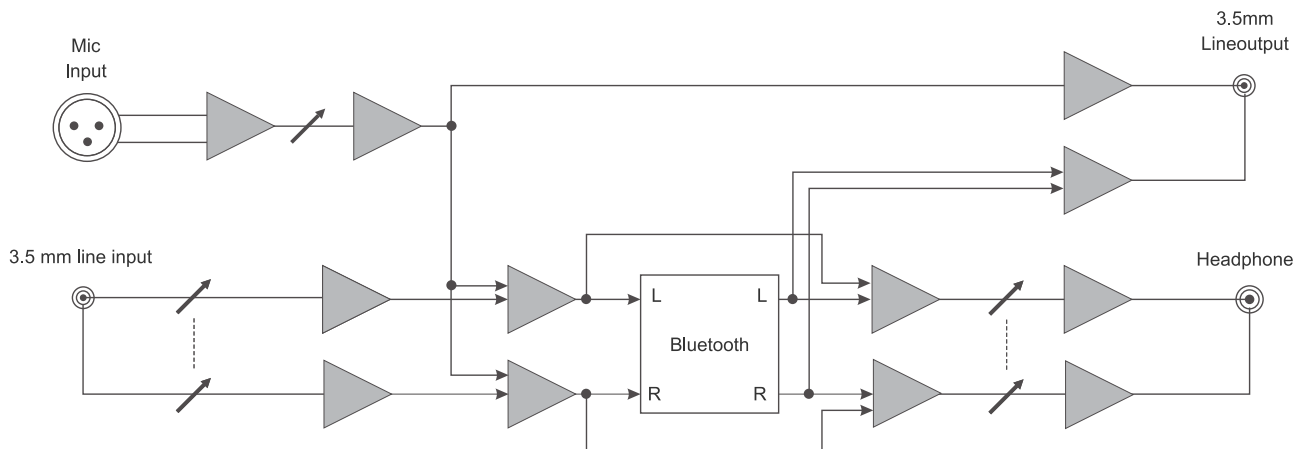




## REAR VIEW



## BLOCK DIAGRAM



## SPECIFICATIONS

### Input

<b>Female XLR:</b>	2k ohms / -34 dBu nom.
<b>1/8" (3.5mm) Stereo:</b>	20 k ohms / -10 dBu nom.

### Output

<b>1/8" (3.5mm) Stereo:</b>	100 ohms / -10 dBu nom.
<b>1/4" Stereo Headphone:</b>	8 ohms, 1/2 watt per channel

### Power

<b>Battery:</b>	9 VDC
-----------------	-------

## Bluetooth Wireless Technology



<b>Standard:</b>	Bluetooth 3.0
<b>Range:</b>	66 feet (20 meters)
<b>Frequency Response:</b>	Hands-Free (Full Duplex): 300 Hz–3.4 kHz Hands-Free (Full Duplex HD): 50 Hz–7 kHz A2DP (Master » Headset): 30 Hz–17 kHz End-to-End Latency = 150ms

## Dimensions

<b>Size:</b>	4.7" x 3.75" x 1.65" (12 x 9.5 x 4.2 cm)
<b>Weight:</b>	10 ounces (275 grams)

