

# RemoteMix 3.5™

## Broadcast Field Mixer

7 kHz  
HD VOICE



## FEATURES

	2	3.5	4
» HD Voice (Wide-Band Speech)	•	•	•
» Works with Analog and Digital PBX or VoIP Phones		•	•
» Connects to Wireless Phones & Notebooks	•	•	•
» Bluetooth Wireless Technology		•	•
» 4-conductor 3.5mm Headset Interface	•	•	•
» XLR Mic Jacks	2	3	4
» Mic/Line Pad Switch	•	•	•
» Individually Switchable 48 Volt Phantom Power			•
» 1/4" Headphone Jacks with Individual Level Controls	2	3	4
» Individual Headphone Source Selector			•
» 3.5 mm Send and Receive Jacks	•	•	•
» LED VU Meter	•	•	•
» Phone Line Hybrid with DTMF Keypad	•	•	•
» Redial Button		•	•
» Handset Selector Switch (Electret, Carbon, Dynamic)		•	•
» Bass Boost			•
» Hot Swappable Dual 9V Batteries and 120-240 VAC External Power Supply	•	•	•

Remote Mix 2 and RemoteMix 4 shown for comparison

**2** = RemoteMix 2   **3.5** = RemoteMix 3.5   **4** = RemoteMix 4

**More than just a Field Mixer.** RemoteMix 3.5 is a three-channel field mixer and headphone amplifier. More than just a field mixer, this is a universal communications interface. RemoteMix 3.5 features a phone line hybrid and keypad, a PBX handset interface, and both wired and wireless cell phone interfaces. These parts were designed to work together, saving setup time in the field.

**Radio.** RemoteMix 3.5 is perfect for sports remotes. Use it as a phone line hybrid, calling into your studio talk show hybrid. Use it as a front-end mixer for your POTS, ISDN, IP or smart phone codec.

**TV.** RemoteMix 3.5 gives you the ultimate phone connectivity with three 1/4" IFB headphone feeds. Send and receive interview audio and pull IFB out of any business phone system, even your cell phone or notebook.

**Great Sound.** A soft limiter prevents overdriving the phone line interfaces, while the mixer XLR output is pre-limiter (full range). Convenient 3.5mm send and receive jacks for recording the show, or mixing in your MP3 player.

**Bluetooth Wireless Technology.** Route audio through your cell phone or notebook using Bluetooth Wireless Technology. The Bluetooth interface will connect in hands free mode allowing a two way 3.4 kHz telecom bandwidth connection. The Bluetooth interface can also connect in wireless headphone mode offering a 20 kHz audio bandwidth, listen-only connection.

**Power Smart Design.** Low noise, low power ICs are used throughout either of these mixers to preserve battery life. The low noise 100-240 VAC desktop style power supply (included) overrides the battery power only when the supply is actually providing power. If the power goes out, the batteries automatically cut in.

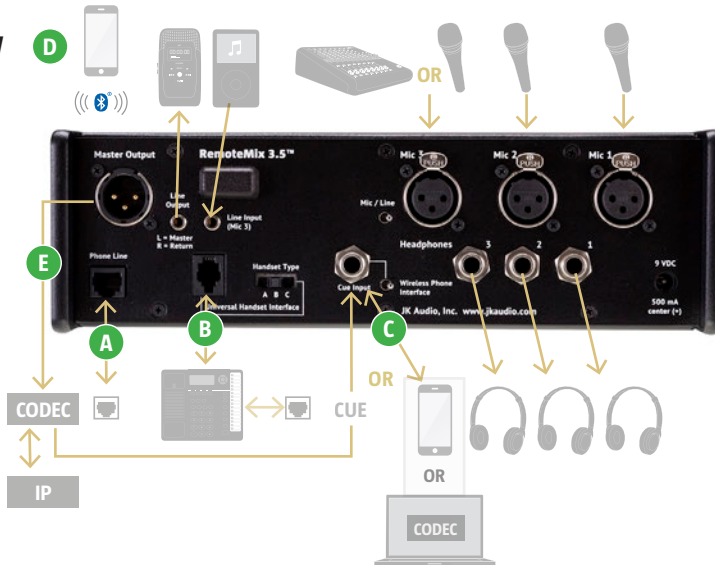
# RemoteMix 3.5™

## Broadcast Field Mixer

7 kHz  
HD VOICE



### REAR VIEW

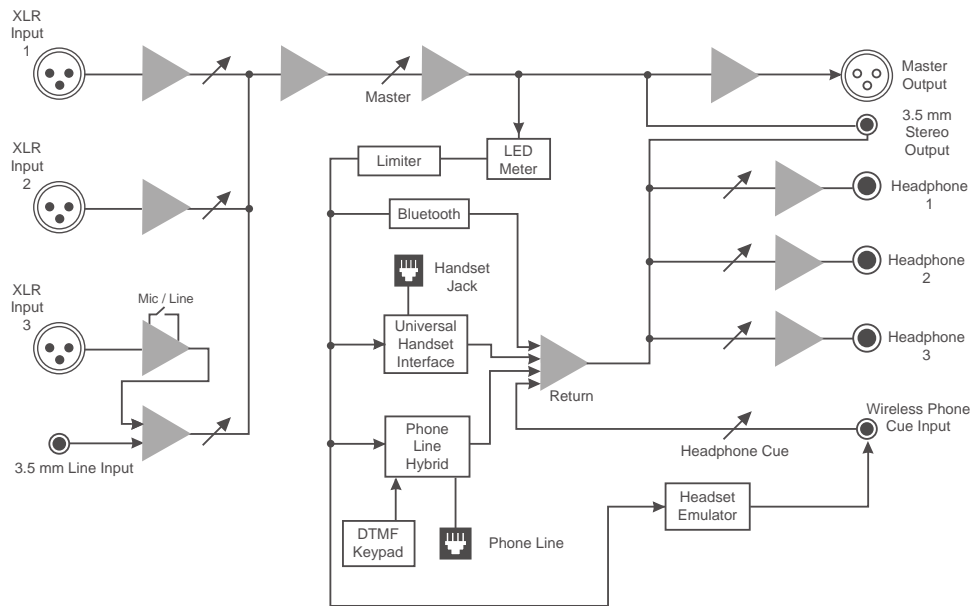


### Talk about backup...

5 ways to get the signal back to the station.

- A. Dial in with the internal phone line hybrid,
- B. Connect through any PBX or VoIP telephone through the Universal Handset Interface,
- C. Plug into the headset jack of your phone or notebook,
- D. Pair to any Bluetooth audio device
- E. Use as a front end mixer for your CODEC.

### BLOCK DIAGRAM



### SPECIFICATIONS

#### Input

Female XLR Mics:	2k ohms / -25 dBu nom (Mic/Line pad switch = +6 dBu max)
1/8" (3.5mm) Stereo Line:	20k ohms / -10 dBu nom
Headphone Cue 1/4":	20k ohms / -10 dBu nom

#### Bluetooth Wireless Technology

Standard:	Bluetooth 3.0
Frequency Response:	Hands-Free (Full Duplex): 300 Hz– 3.4 kHz Hands-Free (Full Duplex HD): 50 Hz– 7 kHz A2DP (Master » Headset): 30 Hz–17 kHz
Range:	33 ft (10m)

#### Output

Balanced Male XLR:	+16 dBu max, 20 Hz - 20 kHz, +/- 1dB
1/8" (3.5mm) Stereo:	100 ohms / -10 dBu nom
Headphone 1/4" Stereo:	8 ohms / 1/3 watt per channel
Phone Line Connector:	POTS: RJ11C, PBX: RJ22
Ringer:	0.5B REN
Isolation:	1500 VAC
Power:	100-240 VAC, 50-60Hz or Two 9 VDC batteries
Size:	9.5" x 8" x 3"
Weight:	3.8 lbs (1.72 kg)

