



THAT-1™
Telephone Handset Audio Tap
User Guide

JK Audio

Welcome

Thank You

Thank you for purchasing the JK Audio THAT-1. Please read this guide for instructions on setting up and using your new product.

Getting Assistance

If you have any questions, call us **M-F: 8:30am-5:00pm (CT)**

In the US & Canada (Toll-Free)

800-552-8346

All other countries dial:

815-786-2929

Email us at:

support@jkaudio.com

Or, check out our FAQ section for answers to common questions.

Limited Warranty

THAT-1 is covered by a 2 year warranty to be free from defective workmanship and materials. To obtain service, contact JK Audio by phone or email for return authorization.

Once authorized, you will carefully pack and ship the faulty product and all accessories to us. You will pay for shipping to us and we will pay for return back to you.

This warranty does not cover damages due to accident, weather, fire, flood, earthquake, misuse, unauthorized repairs or modifications, or damages occurred in shipping, only defective workmanship or materials.

There are no expressed or implied warranties which extend beyond the warranty here made.

Contents

Overview	1
Setup	3
Operation	4
FAQs	6
Technical Information	8

Note: While THAT-1 was designed to be very rugged and durable, it is not waterproof and care should be taken to keep the unit dry.

Features

Works with Analog, Digital, PBX, and VoIP Telephones

RCA Input & Output

Output Level Control

Passive Design. No Battery or AC Required

In the Box

1/8" (3.5mm) to RCA Cable

Introducing THAT-1

Connect THAT-1 between your telephone and handset for quick access to audio in and out of the telephone. The THAT-1 is used by radio stations to record and play sound bytes, and by computer and telephone companies to demonstrate their computer voice services using a powered speaker.

Play (Line In)

This is a line level input for signals that you want to send down the phone line. This jack can be connected to an audio output such as the line output from a computer or mixer, or the headphone output from your music player, laptop, phone, etc

Record (From Phone)

This is a variable mic level output from the telephone. This jack provides a mix of both sides of the conversation. In other words, whatever you send down the phone line will come back on this jack mixed with the audio from the other side of the call. This is not adjustable.

Overview



Getting Connected

THAT-1 connects between the handset and the base of your telephone. Follow these simple steps:

1. Unplug the modular handset cord from your telephone base.
2. Using the black handset jumper cord that we have provided, connect the **<Phone>** jack of THAT-1 to the handset jack on your telephone base.
3. Plug your handset cord, and handset, into the **<Handset>** jack on THAT-1.
4. Using the supplied adapter cable...
 - A. Take the left channel from a 1/8" mini stereo headphone or line output jack and attach it to the **<Line In>** RCA jack on THAT-1, or...
 - B. Connect the **<From Phone>** output jack to a mic level input on your recording device.
5. Use the **Handset/Line In** button to choose your operation (see page 4).

Note: Not for use with telephones that have a keypad in the handset.

Operation

Handset/ Line In Button

The **Handset / Line In** button selects which signal will be sent down the phone line; the handset microphone, or the line input jack.

Record (Position: Out)

Use the handset to speak and listen as you normally would. The sound that you hear on the handset is always available on the **<From Phone>** output jack.

Play (Position: In)

The handset mic is disconnected and the line input is connected to send audio signals down the line.

You can also use the **Handset / Line In** button to turn off the handset mic if you are listening to the line output signal over a loudspeaker. This will prevent feedback between the handset microphone and loudspeaker. In any case you can always listen over the handset receiver.

If a conflict arises it will typically be on the line input side. If you attempt to send voice band signals down the line input jack and the distant party complains that the level is too loud or severely distorted (clipping), try to lower the transmit signal on your audio equipment.

Note: Not all telephones are built alike so we cannot guarantee THAT-1 will work with every handset design available. We designed the interface to work with most popular designs.

FAQs

I have been using my THAT-1 for recording and it works great but when I try to send audio down the line it won't work.

Several things could be causing this problem: First you must send a line level signal into the **<Line In>** jack on THAT-1. Second, make sure the gray button is in the **'In'** position. This disables the handset mic and enables the audio input. Third, the phone you are using must have an "electret" type mic in the handset. Not all phones are the same and THAT-1 is only compatible for sending audio with phones that have this microphone type. You may want to consider our THAT-2 which has a three position switch to allow you to use it with virtually any telephone.

Can I get an adapter that will allow me to connect THAT-1 to the wall jack instead of the phone?

No, your THAT-1 doesn't replace your phone,, but works in conjunction with it. You will need to plug it in between the telephone base and the telephone handset.

Can I use THAT-1 with my speakerphone?

You cannot use the speakerphone function on your telephone and THAT-1 at the same time. THAT-1 accesses the audio through the handset cord. With the speakerphone turned on, most telephones disable the handset connection. Typically there is no audio going through the handset connection at the time.

What is the gray pushbutton on THAT-1 used for?

The button is used to select which audio signal will be sent into the telephone.

Out: Handset Audio

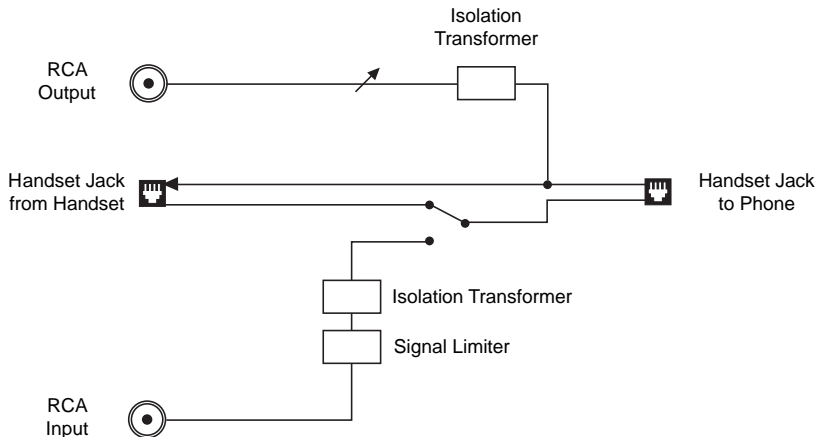
In: Line Input

Keep in mind that you cannot send audio into the **<Line Input>** RCA jack and talk on the handset at the same time. However, any audio sent into the phone can be heard on the handset and is available on the RCA **<From Phone>** output jack at all times.

We're using THAT-1 to get caller audio to broadcast on our call in radio show. How do we get better sound quality?

THAT-1 was designed for only simple record and play applications. For better sound quality you should consider getting a digital hybrid such as the Innkeeper PBX, Broadcast Host or Innkeeper 1rx.

Block Diagram



Specifications

Line Input

RCA (Unbalanced):	20k ohms / 250 mV RMS (-10 dBu nom)
-------------------	--

Output

RCA (Unbalanced):	2800 ohms 100 mV RMS (-16 dBu nom)
-------------------	---------------------------------------

Misc.

Handset Jack:	RJ-22
---------------	-------

Handset Type:	Electret
---------------	----------

Size:	3.7" x 1.6" x 1.3" (9.4 x 4.1 x 3.3 cm)
-------	---

Weight:	6.1 oz
---------	--------

FCC Registration

Your new JK Audio product has been registered with the Federal Communications Commission (FCC). This product complies with the standards in Part 68 of the FCC rules.

1. Connection And Use With The Nationwide Telephone Network

The FCC requires that you connect this telephone equipment to the national telephone network through a USOC RJ-11C modular telephone jack. This equipment may not be used with Party Line Service or Coin Telephone Lines. This equipment is hearing aid compatible.

2. Information For The Telephone Company

Upon request from your local telephone company, you are required to provide the following information:

- a. The "line" to which you will connect the telephone equipment (that is, your telephone number), and
- b. The telephone equipment's FCC registration number. This can be found on the bottom of your telephone equipment.

FCC Registration

3. Repair Instructions

If it is determined that your telephone equipment is malfunctioning, the FCC requires that it not be used and that it be unplugged from the modular outlet until the problem has been corrected. Repairs to this telephone equipment can only be made by the manufacturer or its authorized agents or by others who may be authorized by the FCC. For repair procedures, follow the instructions outlined under the warranty section of the manual.

4. Rights Of The Telephone Company

If telephone equipment is causing harm to the network, the telephone company may temporarily discontinue your telephone service. If possible, they'll notify you before they interrupt service. If advanced notice isn't practical, you'll be notified as soon as possible. You'll be given the opportunity to correct the problem, and you'll be informed of your right to file a complaint with the FCC. Your telephone company may make changes in its facilities, equipment, operations or procedures that could affect the proper functioning of your JK Audio product. If such changes are planned, you'll be notified by your telephone company.

THAT-1™

Telephone Handset Audio Tap

User Guide Version 3/4/19

JK Audio, Inc.

1311 E 6th St.

Sandwich, IL 60548

United States

Telephone: 815.786.2929

Toll Free: 1.800.jkaudio

Fax: 815.786.8502

www.jkaudio.com

© 2019 JK Audio, Inc. All rights reserved.

JK Audio