

# Universal Host™

## VoIP/PBX Desktop Digital Hybrid



### FEATURES

	PBX	UH
» Excellent Separation of Caller and Talent Voice	•	•
» 16 bit DSP Technology	•	•
» 16 bit USB Audio CODEC		•
» Proprietary Auto Null Algorithm (50 dB null)	•	•
» Send XLR Line Input	•	•
» Mic/Line Switch	•	•
» 3.5mm Mono Line Input	•	•
» Caller XLR Line Output	•	•
» 3.5mm Stereo Line Output	•	•
» 3.5mm Headphone Jack	•	•
» Send and Caller Signal Level LEDs	•	•
» Send and Caller Volume Controls	•	•
» Handset Selector Switch (Electret, Carbon, Dynamic)	•	•

innkeeper PBX shown for comparison

**PBX** = innkeeper PBX    **UH** = Universal Host

### The Digital Hybrid for a Busy Desktop.

Universal Host easily converts your IP or PBX telephone into a professional, affordable interview station. This desktop digital hybrid provides talk show quality caller audio from most telephone systems. Simply connect between your telephone handset and the base of your telephone.

The digital hybrid connects audio signals to your IP or PBX type telephone system through the telephone handset cord. Universal Host provides connections for a microphone, headphones, mixer, sound card, and telephone handset. The stereo output jack on the back of the unit provides your voice on one channel and only the caller's voice on the other channel. The balanced XLR output jack contains only the caller's voice. The Handset and Online buttons select between talking on the handset, or sending and receiving through the audio connections. A second switch selects between monitoring the caller or listening to the USB codec over the headphones.

**Talk Shows** Connect a professional dynamic mic and headphones to Universal Host to capture your voice in full audio bandwidth, while maintaining excellent separation between your voice and the caller.

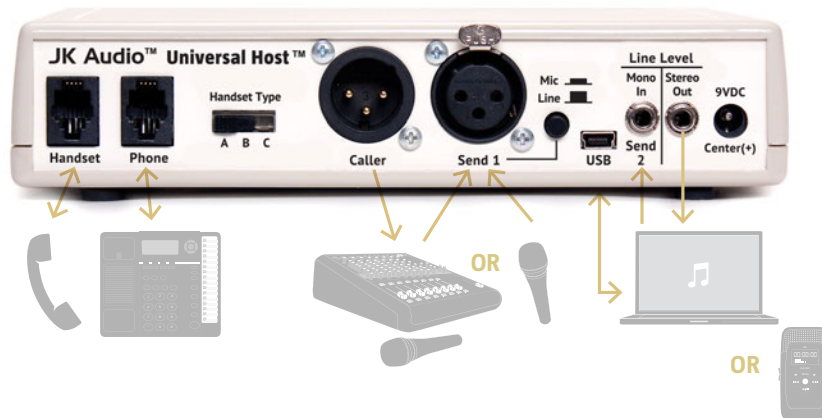
**USB CODEC** The 16 bit USB audio CODEC allows stereo recording at up to 48 kHz sampling rate, with the talent voice on the left channel in full bandwidth, and the caller on the right. Play recordings from your computer directly into the phone system.

**Conference Room** Easily connect your PA system to the existing IP or PBX telephone system. The echo canceller algorithm prevents feedback and allow full duplex conversations.

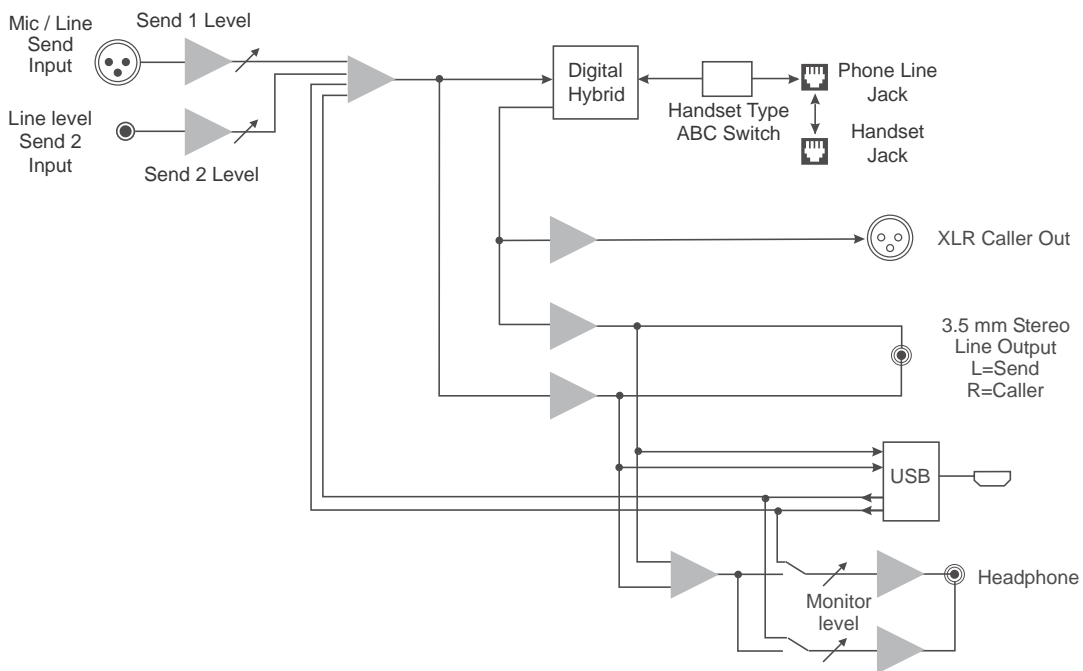


# Universal Host™

## VoIP/PBX Desktop Digital Hybrid



### BLOCK DIAGRAM



### SPECIFICATIONS

#### Input

<b>Balanced Female XLR Mic:</b>	1k ohms / 15 mV RMS; -34 dBu nom. (Mic/Line pad switch = +6 dBu max)
<b>1/8" (3.5mm) Mono:</b>	20k ohms / 250 mV RMS; -10 dBu nom.

#### Output

<b>Balanced Male XLR:</b>	200 ohms / 500 mV RMS; -4 dBu nom.; +14 dBu max; <b>Caller Only</b>
<b>1/8" (3.5mm) Stereo:</b>	50 ohms / 250 mV RMS; -10 dBu nom.; +6 dBu max <b>Left = Send; Right = Caller</b>
<b>Headphone 1/8":</b>	8 ohms / 250 mW <b>Mixed Send and Caller</b>

#### USB

<b>Connector:</b>	Mini Type B Female
<b>Standard:</b>	v2.0
<b>Sampling Rate:</b>	32 kHz, 44.1 kHz, 48 kHz

#### Misc

<b>Handset/Line Connectors:</b>	RJ22
<b>Frequency Response:</b>	Telephone Side 200 Hz-3600 Hz
<b>Isolation:</b>	1500 VAC
<b>Power:</b>	120-240 VAC Power Supply (included)
<b>Size:</b>	7" x 6" x 1.6" (18 x 15 x 4.2 cm)
<b>Weight:</b>	2.2 lbs. (1kg)