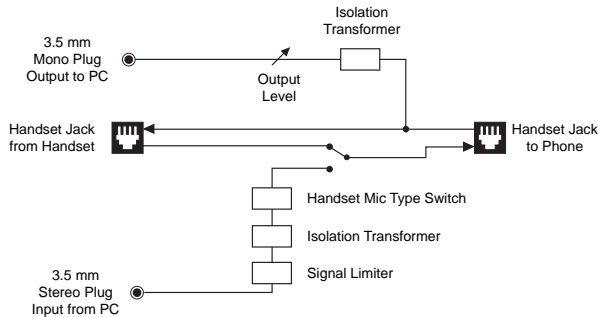


# Voice Path™

## Telephone Handset Audio Tap

### BLOCK DIAGRAM



### FEATURES

	QT	T1	T2	VP
» Works with Analog, Digital, PBX, or VoIP Telephones	•	•	•	•
» 1/8" (3.5mm) Mono Audio Input				•
» 1/8" (3.5mm) Mono Audio Output	•			•
» RCA Input & Output		•	•	
» XLR Input & Output			•	
» Input Level Control			•	
» Output Level Control		•	•	•
» Switch Selects Between Carbon, Dynamic or Electret Handset Types			•	•
» Passive Design. No Battery or AC Required	•	•	•	•

QuickTap, THAT-1 and THAT-2 are shown for comparison:

QT = QuickTap	T1 = THAT-1
T2 = THAT-2	VP = Voice Path

### SPECIFICATIONS

#### Input

3.5 mm TRS (Left Channel Only):	10k ohms / 250 mV nominal
---------------------------------	---------------------------

#### Output

3.5 mm TS (Mono):	2800 ohms / 100 mV max
Phone Line:	RJ22
Handset Type:	Electret, Dynamic, Carbon
Size:	3" x 1" x 2" (7.6 x 2.5 x 5.1 cm)
Weight:	9 oz

### Tap Your Phone with 3.5 mm Mini Jacks.

Voice Path continuously routes both sides of your conversation to the mic input of your PC (or Mac) sound card. Simply press in the gray button when you are ready to play audio recordings back into the phone line. With the button in, Voice Path will disconnect the microphone from your handset and send audio down the phone line and into your receiver. You will hear the transmit audio as well as the voice from the other end of the call.

**Record and Play Audio Clips.** Endless possibilities such as: News rooms, Weather and Traffic reports, Ad Creation and Proofing, Transcribing, Voice Mail Prompts, Production Room...Simply connect between the handset and base of your telephone. The attached cables connect directly to the in and out jacks of your sound card. Use your PC software to record, edit, and then play your conversation right back into the phone line.

**Phone Compatibility.** When sending audio into a telephone, Voice Path must emulate the microphone that is in the handset. A switch on the back of Voice Path allows you select between the three basic types of handset microphone: electret, dynamic, and carbon. Signal level to the PC sound card is also adjustable. Voice Path will not work with telephones that have a keypad in the handset.