

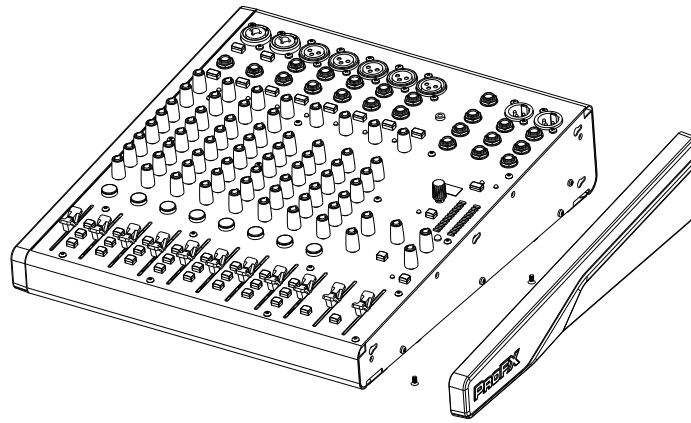
PROFX12v3 • PROFX16v3

Rack Ear Kit Installation Instructions

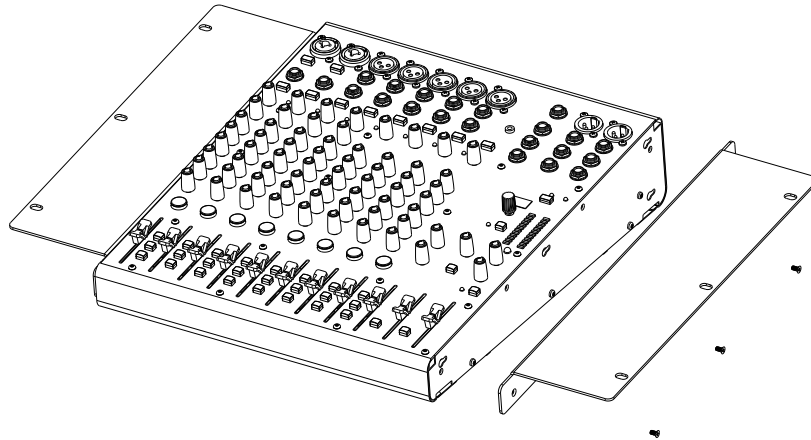
The Rack Ear Kit allows a ProFX12v3 or ProFX16v3 mixer to be mounted in a standard 19" rack. The mixer takes up nine rack spaces. Be sure to allow for an extra space or two above to make connections. The kit contains rack ear brackets and black screws (M3 x 8mm). A Phillips screwdriver is the only tool required for this procedure.

Procedure:

1. Turn off the mixer and disconnect all cords. Place the mixer face down on a soft and dry flat surface.
2. Remove the screws located on the bottom side of the mixer that holds each side panel in place; two screws on each side, four screws total. Remove the side panels by sliding them towards the front of the mixer first, then to the side to separate. Keep the rack ears in a safe place... you might need them again some day. Plus, they make great Lightsabers.



3. Using only the new screws supplied, secure the rack ear brackets to each side of the mixer as shown below. Tighten the screws securely using the Phillips screwdriver. Be sure not to overtighten. As seen in the illustration below, they require eight screws (four on each side).



4. Offer up the mixer to the rack and secure it in place with four rack screws (not supplied). Remember to leave enough room at the top to attach the AC power cord and any other connections needed.

Optional: Remember those four pesky screws removed way, way, way back in step 2? Feel free to screw them back in so the mixer feels whole again!

Disclaimer:
LOUD Audio, LLC. continually engages in research related to product improvement. New material, production methods, and design refinements are introduced into existing products without notice as a routine expression of that philosophy. For this reason, any current LOUD Audio, LLC. product may differ in some respect from its published description, but will always equal or exceed the original design specifications unless otherwise stated.



www.mackie.com
19820 North Creek Parkway #201
Bothell • WA • 98011
800/258-6883 • FAX 425/487-4337
Outside the U.S. call 425/487-4333
Part No. SW1282 Rev B 09/19
© 2019 LOUD Audio, LLC.
All Rights Reserved.