

75 Ohm Type F F/F Coaxial RF Surge Protector, 4MHz - 900MHz,
DC Block, 100W, 50kA, Blocking Cap, Bracket Up, Hole Mount



IS-75F-C1

Features

- Surge current of 50kA
- Max Power 100W
- Frequency range from 4 MHz to 900 MHz
- F-type Female connectors
- VSWR 1.25:1
- Multi-strike capability
- CE & RoHS compliant

Applications

- HF, UHF and VHF radios
- Ham radios
- Remote industrial monitoring

Description

RF surge protector (also known as lightning arrester or surge arrester) IS-75F-C1 from PolyPhaser, integrating a RF blocking capacitor with a gas tube (GT or GDT). This RF surge protector component is manufactured in a coaxial in-line design with wide operating frequency range. All PolyPhaser RF surge protector products are available in stock with same day shipping.

Electrical Specifications

Surge Protector Type
DC Handling

Blocking Cap and Gas Tube
DC Block

| Description | Minimum | Typical | Maximum | Units |
|-----------------|---------|----------|---------|-------|
| Frequency Range | 4 | | 900 | MHz |
| Impedance | | 75 | | Ohms |
| VSWR | | | 1.25:1 | |
| Insertion Loss | | | 0.2 | dB |
| Input Power, CW | | | 100 | Watts |
| 100 W @ HF | | | | |
| 100 W @ VHF | | | | |
| 25 W @ UHF | | | | |
| Surge Current | | | 50 | kA |
| Turn On Voltage | | 700 ±20% | | Volts |

Click the following link (or enter part number in "SEARCH" on website) to obtain additional part information including price, inventory and certifications:
[75 Ohm Type F F/F Coaxial RF Surge Protector, 4MHz - 900MHz, DC Block, 100W, 50kA, Blocking Cap, Bracket Up, Hole Mount IS-75F-C1](#)

75 Ohm Type F F/F Coaxial RF Surge Protector, 4MHz - 900MHz,
DC Block, 100W, 50kA, Blocking Cap, Bracket Up, Hole Mount



IS-75F-C1

Specifications by Frequency

| Description | F1 | F2 | F3 | F4 | F5 | Units |
|-----------------|--------|----------|----|----|----|-------|
| Frequency Range | 4 to 6 | 6 to 900 | | | | MHz |
| VSWR, Max | 1.25:1 | 1.2:1 | | | | |

Mechanical Specifications

Size

| | |
|----------------|--------------------|
| Length | 2.51 in [63.75 mm] |
| Width/Diameter | 1.5 in [38.1 mm] |
| Height | 1.75 in [44.45 mm] |
| Weight | 1 lbs [453.59 g] |

Configuration

| | |
|------------------|----------|
| Input Connector | F Female |
| Output Connector | F Female |

Environmental Specifications

Temperature

| | |
|-----------------|------------------|
| Operating Range | -45 to +50 deg C |
| Storage Range | -45 to +85 deg C |

| | |
|--------------------------------|------|
| Ingress Protection (IP) Rating | None |
|--------------------------------|------|

Compliance Certifications

CE

Click the following link (or enter part number in "SEARCH" on website) to obtain additional part information including price, inventory and certifications:
[75 Ohm Type F F/F Coaxial RF Surge Protector, 4MHz - 900MHz, DC Block, 100W, 50kA, Blocking Cap, Bracket Up, Hole Mount IS-75F-C1](#)

75 Ohm Type F F/F Coaxial RF Surge Protector, 4MHz - 900MHz,
DC Block, 100W, 50kA, Blocking Cap, Bracket Up, Hole Mount



IS-75F-C1

Plotted and Other Data

Notes:

PolyPhaser protects and increases the reliability of global RF communications networks, including transportation, telecommunications, defense, security and industrial applications, with superior RF surge protection technologies including DC Block, DC Pass and Ultra Low PIM. Backed by responsive service and expert technical support PolyPhaser continually expands its product offering and services to serve engineers' urgent needs for RF components in mission critical communication networks.

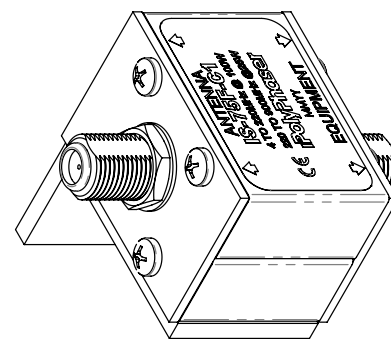
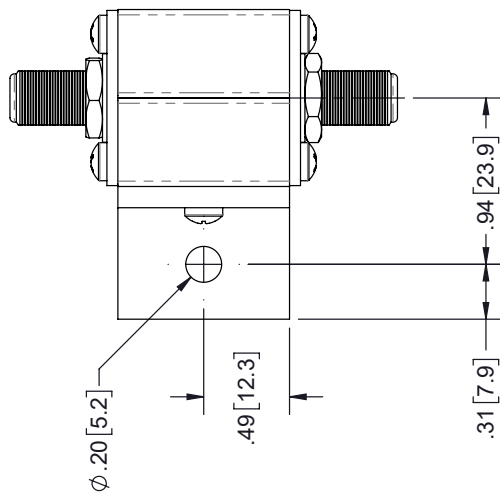
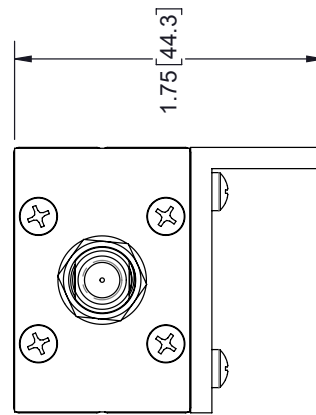
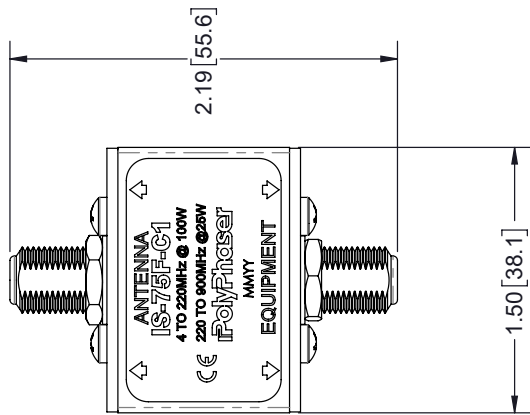
Click the following link (or enter part number in "SEARCH" on website) to obtain additional part information including price, inventory and certifications: [75 Ohm Type F F/F Coaxial RF Surge Protector, 4MHz - 900MHz, DC Block, 100W, 50kA, Blocking Cap, Bracket Up, Hole Mount IS-75F-C1](https://www.polyphaser.com/type-f-surge-protector-900mhz-blocking-cap-gas-tube-is-75f-c1-p.aspx)

URL: <https://www.polyphaser.com/type-f-surge-protector-900mhz-blocking-cap-gas-tube-is-75f-c1-p.aspx>

The information contained in this document is accurate to the best of our knowledge and representative of the part described herein. It may be necessary to make modifications to the part and/or the documentation of the part, in order to implement improvements. PolyPhaser reserves the right to make such changes as required. Unless otherwise stated, all specifications are nominal. PolyPhaser does not make any representation or warranty regarding the suitability of the part described herein for any particular purpose, and PolyPhaser does not assume any liability arising out of the use of any part or documentation.

75 Ohm Type F F/F Coaxial RF Surge Protector, 4MHz - 900MHz, DC Block, 100W, 50kA, Blocking Cap, Bracket Up, Hole Mount

IS-75F-C1 CAD Drawing



ALL DIMENSIONS SHOWN ARE FOR REFERENCE ONLY.

| | | | |
|--|-------------------|--------------|-------|
| UNLESS OTHERWISE SPECIFIED, LEADING DIMENSIONS ARE IN INCHES DIMENSIONS IN [] ARE MILLIMETERS | | SHEET 1 of 1 | |
| TOLERANCES: FRACTIONS: ± 1/32 XX±.01 ANGLES: ± 1° .XXX±.005 | | SCALE 1:1 | |
| TITLE BROADBAND 4-900MHz R70 TO 600Vdc F FEM | | | |
| SIZE A | CAGE NUMBER 30992 | PROD CAT RFP | REV A |
| DRAWING NUMBER IS-75F-C1 | | | |

THESE COMMODITIES, TECHNOLOGY OR SOFTWARE WERE EXPORTED FROM THE UNITED STATES IN ACCORDANCE WITH THE EXPORT ADMINISTRATION REGULATIONS. DIVERSION CONTRARY TO U.S. LAW PROHIBITED.