

## RACK-UP® SERIES Model RU-SQ6A Sequencing Controller

- Control of Sequential Power-Up or Events
- Adjustable Up/Down Time Interval
- Relay and Open-Collector Outputs
- Front-panel or Remote Activation
- Up to SIX Sequential Events
- **SURE-LOK™** Output Supervision



The RU-SQ6A is part of the group of RACK-UP products from Radio Design Labs. RACK-UPs feature the advanced circuitry for which RDL products are known, combined with accessible user-friendly controls and displays. The ultra compact design permits high-density installations, with *three* products mounted in a single rack unit. Optional brackets permit mounting a RACK-UP module above, below, or in front of any flat surface!

**APPLICATION:** The RU-SQ6A is the ideal choice in installations where sequential **ON** and sequential **OFF** functions are desired. Control and output connections are made on the rear panel through clearly identified detachable terminal blocks.

Two types of outputs are provided for each of the 6 sequential steps. One type is an open collector capable of switching loads of 50mA. The other type is an SPST dry contact closure which may be used to control a variety of equipment. A single-turn front-panel **TIMING INTERVAL** control adjusts the time delay between channels from 1 to 10 seconds. Front-panel LEDs show when each output channel turns on and off. An internal microcontroller insures reliable, accurate timing.

The up or down sequence is user-controlled by a front-panel pushbutton switch unless the module is set for remote operation. A rear-panel switch set by the installer selects either front-panel or remote control activation. LEDs indicate whether the front-panel **SEQUENCE CONTROL** switch or the remote terminals are active. Grounding the rear-panel **ACTIVATE** terminals or turning on the front-panel **SEQUENCE CONTROL** switch causes an **UP REQUEST** that starts the RU-SQ6A outputs to turn on sequentially. The outputs remain active until the **UP REQUEST** is cancelled by turning off the front-panel or remote control switch, causing the outputs to turn off in reverse sequence. If the **ACTIVATE** terminal is permanently grounded with the module set for remote control, the RU-SQ6A outputs will turn on sequentially when power is applied to the module; all outputs will turn off simultaneously when power is removed from the RU-SQ6A. The **UP REQUEST** LED is illuminated when an **UP** sequence is requested. When the sequence is complete, the **COMPLETE** LED indicates the **SURE-LOK™** supervisory circuit is actively latching the outputs active until the user deactivates the sequence.

Wherever sequential up and down switching is needed the RU-SQ6A is the ideal choice. Use the RU-SQ6A individually, or combine it with other RDL RACK-UP or STICK-ON products as part of a complete audio/video system.



**RDL**<sup>®</sup>  
Radio Design Labs

SPECIALISTS IN PRACTICAL PRECISION ENGINEERING™

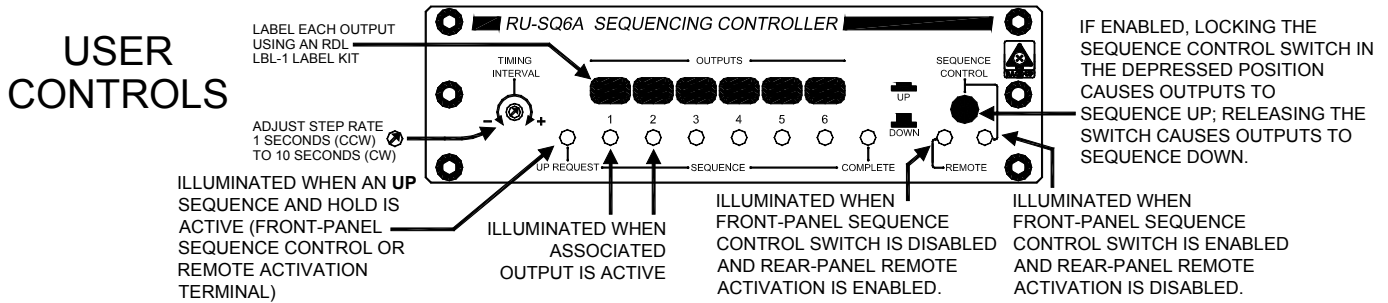
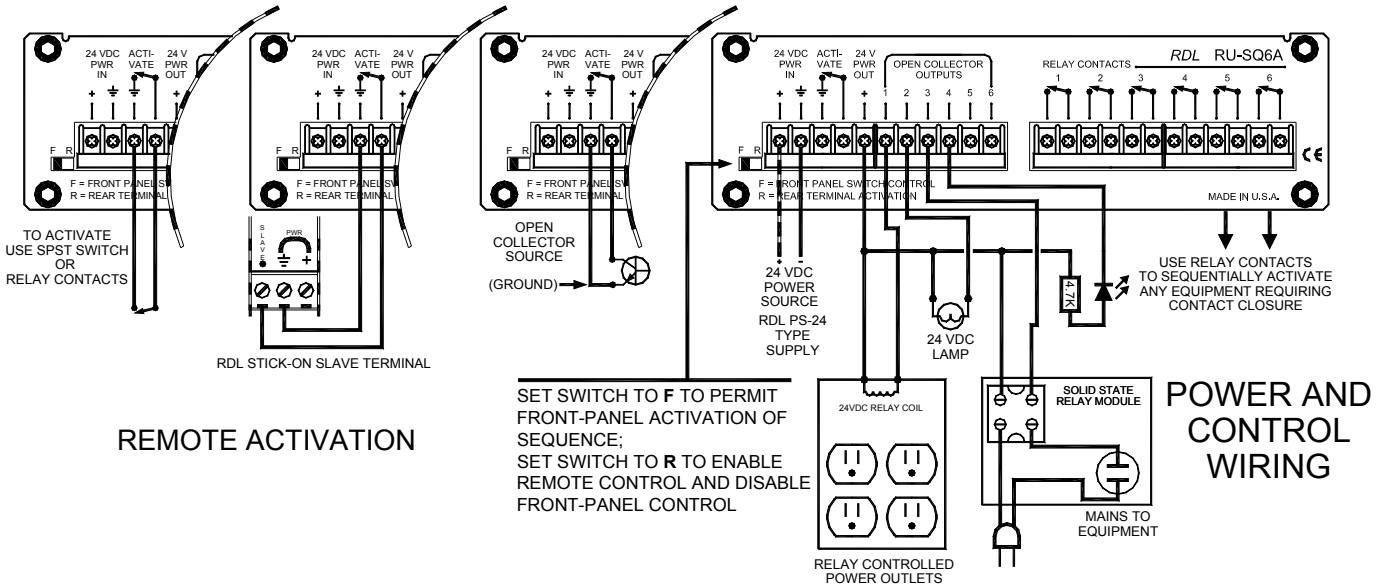


# RACK-UP<sup>®</sup> SERIES Model RU-SQ6A Sequencing Controller

## Installation/Operation



Declaration of Conformity available from [rdlnet.com](http://rdlnet.com).  
Sole EMC specifications provided on product package.  
Specifications are subject to change without notice.



### TYPICAL PERFORMANCE

Control Input:  
Interval Between Outputs:  
Indicators (10):

24 Vdc Output:  
Open Collector (6):  
Relay Outputs (6):

Maximum Switching Power:  
Maximum Switching Voltage:  
Maximum Switching Current:  
Maximum Carrying Current:

Power Requirement:

Dimensions:

External closure < 2.5 mA @ 24 Vdc  
1 to 10 seconds nominal, front-panel adjustable  
Red LEDs indicating channel 'on' condition (6)  
Green LED indicating UP REQUEST  
Green LED indicating sequence COMPLETE  
Red / Green LEDs indicating Remote or Front-Panel Activation  
1.1 A maximum, 75 mA less than power supply current  
200 mA surge; 50 mA continuous; 200 mA maximum  
SPST (closed when active)  
60 W, 125 VA  
220 Vdc, 250 Vac  
2 A  
3 A  
24 to 33 Vdc @ 100 mA  
plus total load current connected to 24 Vdc output, Ground-referenced  
Height: 1.7 in. 4.3 cm  
Length: 5.8 in. 15.0 cm  
Depth: 3.45 in. 8.8 cm

NOTE: This equipment has been tested and found to comply with the limits for a Class B digital device, pursuant to part 15 of the FCC Rule. These limits are designed to provide reasonable protection against harmful interference in a residential installation. The equipment generates, uses and can radiate radio frequency energy and, if not installed and used in accordance with the instructions, may cause harmful interference to radio communications. However, there is no guarantee that interference will not occur in a particular installation. If this equipment does cause harmful interference to radio or television reception, which can be determined by turning the equipment off an on, the user is encouraged to try to correct the interference by one or more of the following measures:

- Reorient or relocate the receiving antenna
- Increase the separation between the equipment and receiver
- Connect the equipment into an outlet on a circuit different from that which the receiver is connected.
- Consult the dealer or an experienced radio/TV technician for help.

Radio Design Labs Technical Support Centers  
U.S.A. (800) 933-1780, (928) 778-3554; Fax: (928) 778-3506  
Europe [NH Amsterdam] (+31) 20-6238 983; Fax: (+31) 20-6225-287